

**EUROPE**

QLITE Ltd, #4, Severnlink, Newhouse,  
Farm Industrial Estate, Chepstew,  
NP16 6UN, UK  
T: +44 (0) 1600 77 22 97

**MIDDLE EAST & AFRICA**

QLITE FZC, PO Box 120768,  
Sharjah Intl. Airport Free Zone,  
Sharjah, UAE  
T: +971 6557 9411

**INDIA AND ASIA PACIFIC**

QLITE Electronics Controls Pvt. Ltd.  
Office 539-540, Spaze I Tech Park,  
Sohna Road, Gurgaon, INDIA  
T: +91 124 4264701 / 08

e: [sales@qliteglobal.com](mailto:sales@qliteglobal.com)    [www.qliteglobal.com](http://www.qliteglobal.com)



DELIGHTING YOUR WORLD

**LED LIGHTING  
SOLUTIONS**

# CONTENTS

001  
1.0 INTRODUCTION

038  
5.0 BATHROOM  
RANGE

044  
6.0 DISPLAY AND  
STRIP LIGHT

NEW  
098  
11.0 NEW  
PRODUCTS

004  
2.0 COMMERCIAL  
A. LED Panels  
B. Corrosion Proof  
C. LED Batten  
D. High Bay

030  
4.0 SURFACE  
MOUNT  
FITTINGS

050  
7.0 EMERGENCY  
LIGHTING

080  
10.0 OUTDOOR  
FITTINGS  
A. Flood Light  
B. Underground  
Light And Kit

020  
3.0 DOWN LIGHT

064  
8.0 KITCHEN AND  
FURNITURE  
FITTINGS

072  
9.0 TRACKS AND  
PROJECTOR

# 1.0 INTRODUCTION

“QLITE leading the market with LED retrofit solutions”  
“Switch on the Solutions for a Brighter World”

## About Us

QLITE Limited UK is an established company with specialization in low voltage control systems. QLITE designs and manufactures state-of-the-art Guest Room management systems (GRMS), plug-in Dimming controls, Lighting controls, Home Automation systems, Daylight Harvesting systems, LED Lighting Solutions, Sensors and Wiring accessories.

QLITE is respected and recognized around the world with engineering capabilities to meet any market standards and custom-made products. We have many years of experience working as a professional partner to electrical consultants, contractors and by architects and lighting designers.

## Global Technology meets Local Needs

The diversity of our skills is reflected in the nature of the projects that we have executed. A unique understanding of the current trends and the specific demands of the market make us an ideal partner. To meet the strenuous requirements of the continually expanding markets, QLITE provides full local sales and technical support throughout Europe, Asia Pacific and Middle East & African Region.

We rely on our strong R&D culture to maintain our position at the forefront of technological innovation. New product developments form the core of our long-term success and our vision for sustainable competitive advantage.

QLITE, backed by its R&D, caters to the ever-changing needs of the lighting industry with its up-to-date product range comprising of well tested and proven LED control gear, LED dimmers among other LED solutions to replace traditional light sources for both commercial and residential applications.

QLITE offers a wide range of products for high profile leisure, commercial, industrial and residential applications globally.

## Why QLITE?

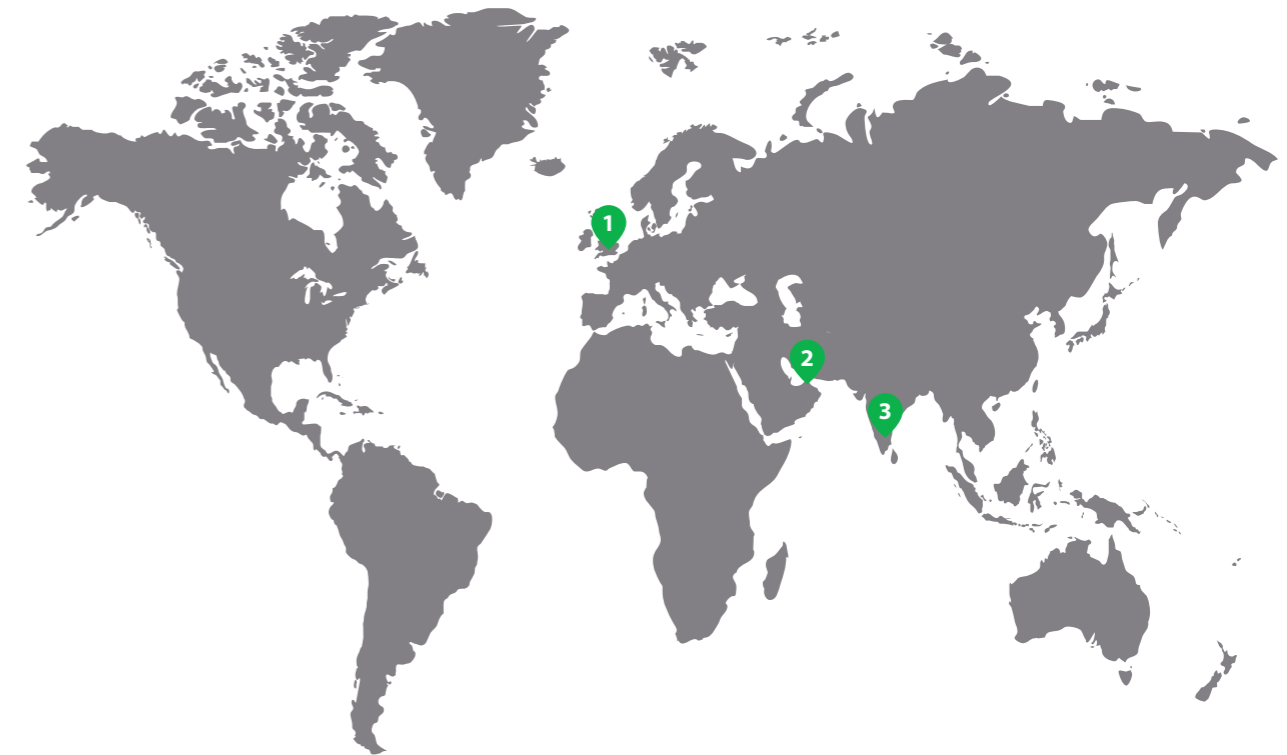
- Extensive industry experience
- Quick and easily installation
- Strict conformance quality control procedures
- Maintenance saving or in some instances elimination
- Energy efficiency of Retrofit LED solutions
- Delivering higher lumens per watt
- Uniform light distribution
- Color consistency
- Complete range of LED and related solutions
- Legislative compliance
- Warranties of 2, 5 and 10 years

## Sales and Service

“Your global lighting solutions partner”

QLITE continues to build on our reputation as a key supplier of high-efficiency, energy saving solutions for domestic and commercial applications. We have been working with a wide range of distributor channels and channel partners to cater to the requirement of vast and dynamic market. QLITE products are available globally and are supported by our sales / service teams in the Europe, Middle East and Asia.

We hope you find this latest edition of the catalogue to be helpful in sourcing the lighting solutions you require. For any further information please feel free to contact us.



### 1. EUROPE

QLITE Ltd, #4, Severnlink,  
Newhouse, Farm Industrial Estate,  
Chepstew, NP16 6UN, UK  
T: +44 (0) 1600 77 22 97

### 2. MIDDLE EAST & AFRICA

QLITE FZC, PO Box 120768,  
Sharjah Intl. Airport Free  
Zone, Sharjah, UAE  
T: +971 6557 9411

### 3. INDIA AND ASIA PACIFIC

QLITE Electronics Controls Pvt. Ltd.  
Office 539-540, Spaze I Tech Park,  
Sohna Road, Gurgaon, INDIA  
T: +91 124 4264701 / 08



# 2.0 COMMERCIAL



- a. LED Panels
- b. Corrosion Proof
- c. LED Batten
- d. High Bay

## A. COMMERCIAL LED PANELS

### Light Panels

#### Fluorescent Replacement

The QLITE slim profile LED panel light allows you to create a beautiful environment of space and a sense of natural light.

Fast and simple to install, it replaces the standard 4 x 18W T8 lay-in module to provide energy efficient, but perhaps more importantly, low maintenance solutions where constant replacement of fluorescent tubes and cleaning of the fitting can be avoided.

Installed where energy savings and low maintenance costs are of paramount importance it will enable the building to achieve a low carbon footprint and complies with today's building regulations producing a massive 69 lumens per circuit watt.

**EXTRA SAVINGS**  
Suitable for PIR Switching

**LOW PROFILE DESIGN**  
Fits in standard ceiling grid design

**ACCESSORIES AVAILABLE**  
Brackets that enable Panel to be surface mounted. Suspension system that enables Panel to be suspended to a length of 1.5m

**PART L1 + L2 COMPLIANT**  
Popular across a variety of applications, from offices and hospitals to restaurant, leisure, retail & educational centres

**EASY TO INSTALL**  
Complete with male/female connectors

**LOW MAINTENANCE COSTS**  
50,000 hours average life.  
5 to 10 times that of a standard fluorescent

**LIGHT OUTPUT**  
Equal to 4 x 18W fluorescent

**SENSE OF NATURAL LIGHT**  
Low glare diffuser  
Cool white  
5500K

#### LED PANELS

The QLITE LED PANEL fitting was launched in early 2010 and has been extremely successful in the commercial lighting arena.

#### 60 x 60cm, 60 x 120cm

The range has been extended on request to include a 60 x 120cm option and also an IP54 rated version suitable for clean room environments.

#### DALI Dimmable

In addition to this, the DALI Dimmable version enables dimming using DALI protocol, whereby all panels can be made individually addressable. The LED PANEL dims beautifully with a smooth range from 0 - 100%.

#### Emergency

Emergency Panels are also very popular and available in both sizes.

## LED Panel Light 600 x 600mm, Cool White Available in 32W and 45 W

- Available in 32W or 45W, comparable to T5 and T8
- High Quality LED's producing 2,700 / 3,800 lumens
- Efficacy of 84 luminaire lumens/circuit watt, exceeding today's and foreseeable future Part L Building Regulations
- 50% energy saving as compared to T8 fluorescent
- Ideal for PIR switching
- 5,000K is an ideal working environment color and CRI>80 is suitable for office installations
- Driver complete with male and female loop in/out connectors enables fast fix installation for testing and avoids damage to panels.
- Slim profile, fits into 15mm and 24mm standard T bar grids.
- Optional suspension and surface mounting kits.
- Options available through conversions: Emergency, 0-10V and DALI dimmable and Microwave Sensor.



	32W	45W
<b>Standard</b>	<b>QL CL32R600X600CW</b>	<b>QL CL45R600X600CW</b>
<b>0-10 Dimmable</b>	<b>QL CL32R600X600CW 0-10V</b>	<b>QL CL45R600X600CW 0-10V</b>
<b>DALI Dimmable</b>	<b>QL CL32R600X600CW DALI</b>	<b>QL CL45R600X600CW DALI</b>
<b>Emergency Battery</b>	<b>QL CL32R600X600CW EM</b>	<b>QL CL45R600X600CW EM</b>
Comparable to:	T5	T8
Total Power (W):	32	45
Power Factor:	>0.9	>0.9
Total Light Output (lm):	2,700	3,800
Beam Angle (deg):	120	120
Lux at 1m (lux):	1,000	1,350
CCT L100 (K):	5,000	5,000
CRI at L100:	83	83
Efficacy (lm / cctW):	84	84
Lifetime L70 F10 (hrs):	50,000	50,000
Width (mm):	596	596
Height (mm):	596	596
Depth (mm):	12	12
Box Qty:	1	1
Weight (kg):	3.9	3.9

## 32W LED Panel Light, 300 x 1200mm, 5000K, Silver Trim

- Light output comparable to 2 x 36W fluorescent (replacement for fluorescent modular fittings)
- Fits into standard sizes of ceiling grid - 15mm and 24mm
- 50,000 hour average lamp life. Up to 5 times that of a standard fluorescent
- Simple to install and low/no maintenance
- Suitable for PIR switching
- 4 wire suspension system available - can suspend panel to a length of 1.5M (QL SUSLEDP)
- Surface mounted kits (Brackets: QL 600x600SMKD, and Box: QL 600x600SMKB) available
- C/w flex and plug



	32W LED Panels with electronic driver, Cool white
<b>QL CL32R300x1200CW</b>	<b>32W LED Panels with electronic driver, Cool white</b>
<b>QL CL32R300x1200CW 0-10v</b>	<b>32W LED Panels with 0-10v dimmable electronic driver, Cool White</b>
<b>QL CL32R300x1200CW DALI</b>	<b>32W LED Panels with DALI dimmable electronic driver, Cool White</b>
<b>QL CL32R300x1200CW EM</b>	<b>32W LED Panels with Emergency battery , Cool White</b>
Colour:	Cool White LEDs
Comparable to:	2x36W Fluorescent
Total Power (W):	32
Power Factor:	>0.9
Lumens L100 (lm):	3000
Beam Angle (deg):	120
Lux at 1m (lux):	1000
CCT L100 (K):	5000
CRI at L100:	83
Luminaire lm/cctW:	93.75
Lifetime L70 F10 (hrs):	50000
Length (mm):	1195
Width (mm):	295
Depth (mm):	12
Weight (kg):	3.80

## LED Panel Light 600 x 1200mm, 5000K

- Fits into standard sizes of ceiling grid – 15mm and 24mm
- 50,000 hour average lamp life. Up to 5 times that of a standard fluorescent
- Simple to install and low/no maintenance
- Suitable for PIR switching
- 5,000K is an ideal working environment colour, and CRI >80 is suitable for office installations
- Driver complete with male and female loop in/out connectors enables fast fix installation
- 4 wire suspension system available – can suspend panel to a length of 1.5M
- Surface mounted kits available
- Options available through Conversions: Emergency, 0-10V and DALI Dimmable and Microwave Sensor



<b>QL CL64R600x1200CW</b>	<b>64W LED Panels with electronic driver, Cool White</b>
<b>QL CL64R600x1200CW 0-10v</b>	<b>64W LED Panels with 0-10v dimmable electronic driver, Cool White</b>
<b>QL CL64R600x1200CW DALI</b>	<b>64W LED Panels with DALI dimmable electronic driver, Cool White</b>
<b>QL CL64R600x1200CW EM</b>	<b>64W LED Panels with emergency battery, Cool White</b>

Colour:	Cool White LEDs
Comparable to:	3 x 36W Fluorescent
Total Power (W):	64
Power Factor:	0.9
Lumens L100 (lm):	5000
Beam Angle (deg):	120
Lux at 1m (lux):	1650
CCT L100 (K):	5000
CRI at L100:	83
Luminaire lm/cctW:	78.125
Lifetime L70 F10 (hrs):	50000
Length (mm):	1197
Width (mm):	596
Depth (mm):	18
Box Qty:	2
Weight (kg):	10.10

## LED Panel Light 600 x 1200mm, Cool White Available in 74W

- Light output comparable to 4 x 36W fluorescent (replacement for fluorescent modular fittings)
- Fits into standard sizes of ceiling grid – 15mm and 24mm
- Complies with Part L1 and L2 of building regulations
- 50,000 hour average lamp life. Up to 5 times that of a standard fluorescent
- Simple to install and low/no maintenance
- Low glare diffuser – 5500K colour ensures this product can be successfully used in offices, hospitals, restaurants, leisure, retail and educational centres
- Suitable for PIR switching
- Standard and Emergency Panels are IP20
- IP54 version suitable for clean room environments
- Dimmable Panel enables dimming using DALI protocol BS EN 62386 – 101:2009. Panels can be made individually addressable. Full smooth dimming range from 100% to 0%.
- Options available through conversions: Emergency, 0-10V and DALI dimmable and Microwave Sensor.



	<b>74W</b>
<b>Standard</b>	<b>QL CL74R600X600CW</b>
<b>0-10 Dimmable</b>	<b>QL CL74R600X600CW 0-10V</b>
<b>DALI Dimmable</b>	<b>QL CL74R600X600CW DALI</b>
<b>Emergency Battery</b>	<b>QL CL74R600X600CW EM</b>
Comparable to:	4 x 36W fluorescent
Total Power (W):	74
Power Factor:	0.9
Total Light Output (lm):	5,000
Beam Angle (deg):	120
Lux at 1m (lux):	1,800
CCT L100 (K):	5,500
CRI at L100:	70
Efficacy (lm / cctW):	68
Lifetime L70 F10 (hrs):	50,000
Width (mm):	1,190
Height (mm):	595
Depth (mm):	14
Box Qty:	4
Weight (kg):	11

## Surface mounted kits for standard and emergency 600 x 600mm LED panel lights

- Option of 2 mounting heights: 25mm and 45mm
- Allow for surface mounting with the driver concealed behind the fitting or located behind wall / ceiling void
- Slot brackets and lock screws
- Emergency version can be surface mounted with the driver concealed behind the fitting



	Bracket	Box
	<b>QL 600x600SMKD</b>	<b>QL 600x600SMKB</b>
Length (mm):	590	590
Width (mm):	40	40
Depth (mm):	25	80

4 wire suspension kit for standard and emergency 60 x 60cm LED panel lights

## 4 wire suspension kit for standard and emergency 600 x 600mm LED panel lights

<b>QL SUSLEDP</b>	
Height	1.5 meters



## B. COMMERCIAL-CORROSION PROOF

### LED Corrosion Proof fitting, Available in 1 x 40W & 2 x 40W

- LED replacement for 1 x 58W or 2 x 58W fluorescent corrosion proof fitting
- 5000K cool white light output
- 50,000 hour average lamp life
- Part L1 and L2 compliant
- Suitable for Emergency Conversion
- IP65, can be used for internal or external applications



	1.5M 1 x 40W	1.5M 2 x 40W
<b>Standard</b>	<b>QL CL1x40CP W</b>	<b>QL CL2x40CP W</b>
<b>0-10 Dimmable</b>	<b>QL CL1x40CP W 0-10V</b>	<b>QL CL2x40CP W 0-10V</b>
Comparable to:	1 x 58W T8 Fluorescent	2 x 58W T8 Fluorescent
Total Power (W):	40	80
Power Factor:	>0.9	>0.9
Total Light Output (lm):	3,900	7,600
Beam Angle (deg):	130	130
Lux at 1m (lux):	1,000	2,000
CCT L100 (K):	5,000	5,000
CRI at L100:	70	70
Efficacy (lm / cctW):	100	100
Lifetime L70 F10 (hrs):	50,000	50,000
Length (mm):	1,560	1,560
Width (mm):	93	140
Height (mm):	97	97
Box Qty:	1	1
Weight (kg):	2.5	3.5
IP:	65	65

Code	Length	Width	Depth
QL CL1x40CP W	1560 mm	93 mm	97 mm
QL CL2x40CP W	1560 mm	140 mm	97 mm





## LED Corrosion Proof fitting, Available in 1 x 24W & 2 x 12W

- LED replacement for 18W or 36W fluorescent fittings
- 100 lumens per circuit watt
- 5,000K cool white light output
- 50,000 hour average lamp
- IP65, can be used for internal or external applications



	1.2M 1 x 24W	1.2M 2 x 24W	0.6M 1 x 12W	0.6M 2 x 12W
<b>Standard</b>	<b>QL CL1x24CP W</b>	<b>QL CL2x24CP W</b>	<b>QL CL1x12CP W</b>	<b>QL CL2x12CP W</b>
<b>0-10 Dimmable</b>	<b>QL CL1x24CP W 0-10V</b>	<b>QL CL2x24CP W 0-10V</b>	<b>QL CL1x12CP W 0-10V</b>	<b>QL CL2x12CP W 0-10V</b>
Comparable to:	1 x 36W T8 Fluorescent	2 x 36W T8 Fluorescent	1 x 18W T8 Fluorescent	2 x 18W T8 Fluorescent
Total Power (W):	24	48	12	24
Power Factor:	>0.9	>0.9	>0.9	>0.9
Total Light				
Output (lm):	2,700	4,800	1,300	2,650
Beam Angle (deg):	110	110	110	110
Lux at 1m (lux):	685	1,350	360	720
CCT L100 (K):	5,000	5,000	5,000	5,000
CRI at L100:	70	70	72	72
Efficacy (lm / cctW):	108	105	108	110
Lifetime				
L70 F10 (hrs):	50,000	50,000	50,000	50,000
Length (mm):	1,258	1,258	660	660
Width (mm):	93	140	93	140
Height (mm):	97	97	97	97
BoxQty:	1	1	1	1
Weight (kg):	2.5	3.0	1.1	1.35
IP:	65	65	65	65

## LED Retro-fit Plate with MAGNET-FIX System

- Complete retrofit kit comprising of LED tray with and MAGNET-FIX system for majority of manufacturers' fittings
- No conduit wiring changes required. Simple to install into existing fitting utilizing existing tray fixing mechanism.
- SMD LED's providing 3,900/7,600 lumens and using only 40/80 watts of power.
- Average LED life of 50,000 hours
- Colour temperature of 5,500K with high CRI
- Pro-diffuser providing higher photometric performance than LED tubes and low glare lighting
- LED replacement for 18W or 36W fluorescent fittings • 100 lumens per circuit watt
- 5,000K cool white light output
- 50,000 hour average lamp
- IP65, can be used for internal or external applications



<b>Standard</b>	<b>QL CL1x40CP RP</b>	<b>QL CL2x40CP RP</b>
Comparable to:	1 x 58W T8 Fluorescent	2 x 58W T8 Fluorescent
Total Power (W):	40	80
Power Factor:	>0.9	>0.9
Total Light Output (lm):	3,900	7,600
Beam Angle (deg):	130	130
Lux at 1m (lux):	1,000	2,000
CCT L100 (K):	5,500	5,500
CRI at L100:	80	80
Efficacy (lm / cctW):	>95	>95
Lifetime L70 F10 (hrs):	50,000	50,000
Box Qty:	4	4
Tray Length (mm):	1,540	1,540
Tray Width (mm):	70	110
Tray Depth (mm):	60	60
Weight (kg):	1.4	2.2

## C. COMMERCIAL-LED BATTEN

### 1 x 40W 5ft IP20 LED Batten, White

- LED replacement for 1 x 58W fluorescent corrosion proof fitting
- 5000K cool white light output
- 50,000 hour average lamp life
- Suitable for Emergency Conversion
- Pro-diffuser providing higher photometric performance than LED tubes and low glare lighting



#### QL CL1X40W BATTEN 5FT W

Colour:	White
Comparable to:	1X58W T8 Fluorescent
Total Power (W):	40
Power Factor:	0.95
Lumens L100 (lm):	3900
Beam Angle (deg):	100
Lux at 1m (lux):	1000
CCT L100 (K):	5000
CRI at L100:	75
Luminairelm/cctW:	97.5
Lifetime L70 F10 (hrs):	50,000
Length (mm):	1530
Width (mm):	54
Height (mm):	80
Weight (kg):	2.30

### 2 x 40W IP20 LED Batten Fitting, 5ft.

- LED replacement for 2 x 58W fluorescent fitting
- 5,000K cool white light output
- 50,000 hour average lamp life
- Part L2 compliant
- Suitable for emergency conversion



#### QL CL2X40W BATTEN 5FT

Comparable to:	2 x 58W T8 Fluorescent
Total Power (W):	80
Power Factor:	0.95
Total Light Output (lm):	7,600
Beam Angle (deg):	140
Lux at 1m (lux):	1,600
CCT L100 (K):	5,000
CRI at L100:	70
Efficacy (lm/cctW):	100
Lifetime L70 F10 (hrs):	50,000
Length (mm):	1,560
Width (mm):	140
Height (mm):	97
Box Qty:	1
Weight (kg):	3.5
IP:	20

## D. COMMERCIAL-HIGH BAY

### 200W Induction High Bay

- Full colour spectrum light
- Clear light, ideal for workspace or under CCTV
- Low lamp disposal costs (100,000 hr average lamp life)
- No flicker, strobing or noise
- Instant start on photocell or motion sensor, suitable as part of intelligent energy management
- Excellent CRI 80
- Wide operating temperature range -25 to + 45 °C
- Universal ballast



#### QL CL200IHB

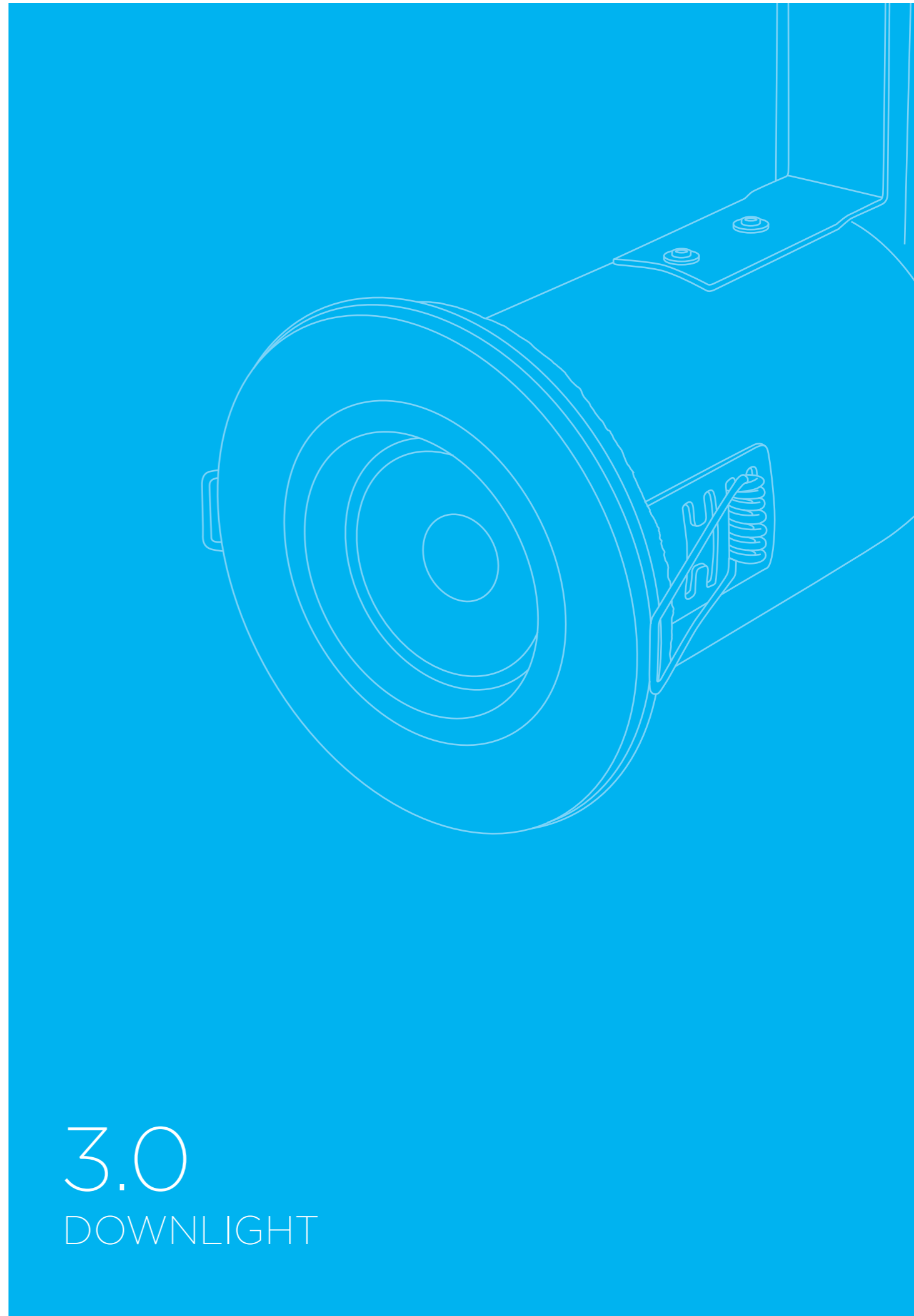
Total Power (W):	202
Power Factor:	0.98
Beam Angle (deg):	120
CCT L100 (K):	5,500
CRI at L100:	80
Diameter (mm):	547
Height (mm):	590
Box Qty:	1
Weight (kg):	7.5

### BAT LED Highbay Black

- Cree XTE SMD light source: High lumens & CRI
- 50,000 hour lamp life; low running costs, no lamps to replace
- Choice between 3000/4200/6000K colour temperature
- 25/60/90 beam angle
- Excellent heat dissipation : Heat pipes bring heat to the heat sink
- Good thermal management and high output reflector combine to give high efficacy of 89 lm/ W

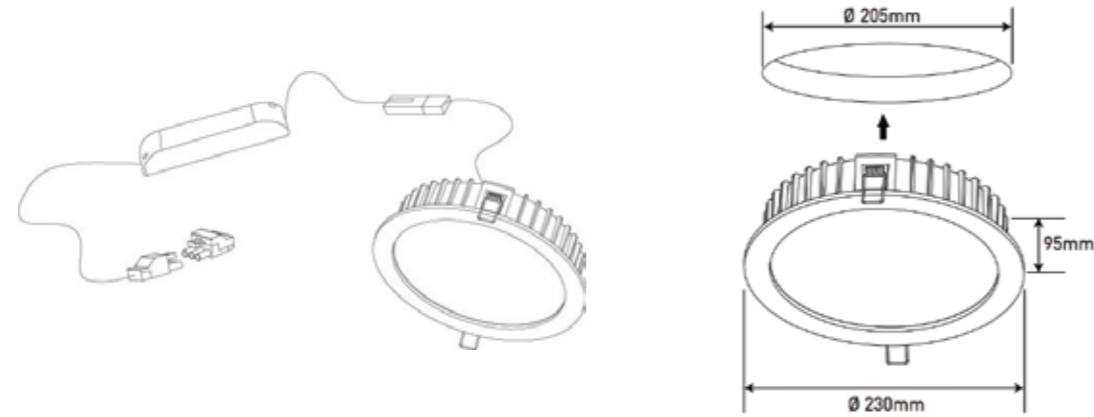


	300W	400W	500W
	QL CL300HB	QL CL400HB	QL CL500HB
Colour:	Black	Black	Black
Total Power (W):	300	400	500
Power Factor:	0.95	0.95	0.95
Beam Angle (deg):	25/60/90	25/60/90	25/60/90
CRI at L100:	>70	>70	>70
Luminaire lm/cctW:	73.333	75	72
Lifetime L70 F10 (hrs):	50000	50000	50000
Width (mm):	380	380	380
Depth (mm):	374	374	374
Height (mm):	497	497	497
Weight (kg):	12.00	12.00	12.00



## IP54 18W 230mm 3000 / 4000K LED Downlight, White

- Comparable to 2 x 18W PL
- Energy saving in excess of 50%
- Lasts up to 10 times longer than standard compact fluorescen PL
- SMD LEDs with low lumen depreciation - at least 70% of initial light output at 50,000 hours
- Suitable for PIR switching
- Pre-wired driver to fitting male/female connector
- Options available through Conversions: Emergrncy, 0-10V and DALI Dimmable

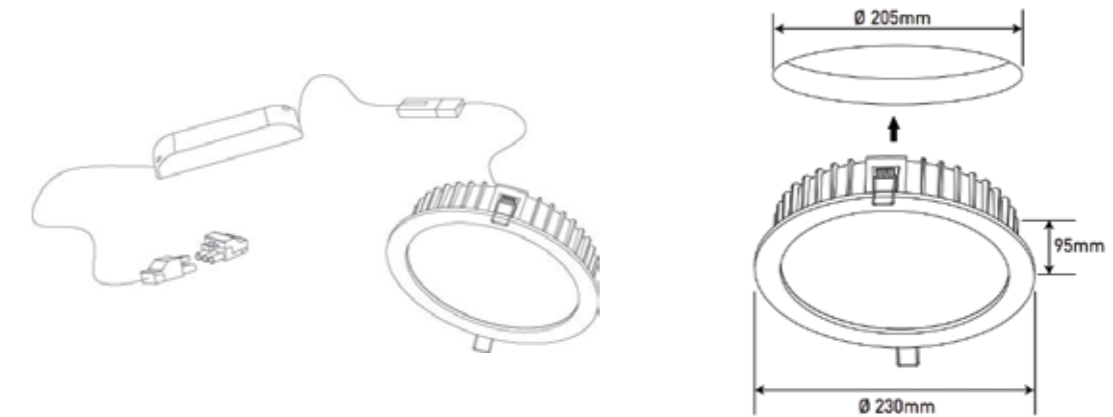


Standard	QL DL18R230 3000K	QL DL18R230 4000K
O-10 Dimmable	QL DL18R230 3000K O-10V	QL DL18R230 4000K O-10V
DALI Dimmable	QL DL18R230 3000K DALI	QL DL18R230 4000K DALI
Emergency Battery	QL DL18R230 3000K EM	QL DL18R230 4000K EM

Colour:	White	White
Comparable to:	2X18W PL	2X18W PL
Total Power (W):	18	18
Power Factor:	0.92	0.92
Lumens L100 (lm):	1450	1600
Beam Angle (deg):	110	110
Lux at 1m (lux):	550	600
CCT L100 (K):	3000	4000
CRI at L100:	85	85
Luminaire lm/cctW:	80.556	88.889
Lifetime L70 F10 (hrs):	50000	50000
Diameter (mm):	230	230
Depth (mm):	58	58
Cut-out (mm):	205	205
Box Qty:	12	12
Weight (kg):	0.80	0.81

## IP54 25W 230mm 3000 / 4000K LED Downlight, White

- Comparable to 2 x 26W PL
- Energy saving in excess of 50%
- Lasts up to 10 times longer than standard compact fluorescen PL
- SMD LEDs with low lumen depreciation - at least 70% of initial light output at 50,000 hours
- Suitable for PIR switching
- Pre-wired driver to fitting male/female connector
- Options available through Conversions: Emergrncy, 0-10V and DALI Dimmable



Standard	QL DL25R230 3000K	QL DL25R230 4000K W
O-10 Dimmable	QL DL25R230 3000K O-10V	QL DL25R230 4000K W O-10V
DALI Dimmable	QL DL25R230 3000K DALI	QL DL25R230 4000K W DALI
Emergency Battery	QL DL25R230 3000K EM	QL DL25R230 4000K W EM

Colour:	White	White
Comparable to:	2X26W PL	2X26W PL
Total Power (W):	25	25
Power Factor:	>0.9	>0.9
Lumens L100 (lm):	2000	2000
Beam Angle (deg):	110	110
Lux at 1m (lux):	700	700
CCT L100 (K)	3000	4000
CRI at L100:	85	85
Luminaire lm/cctW:	80	88
Lifetime L70 F10 (hrs):	50000	50000
Diameter (mm):	230	230
Depth (mm):	58	58
Cut-out (mm):	205	205
Box Qty:	12	12
Weight (kg):	0.93	0.93

## 10W IP44 Dimmable Downlight Available in Cool or Warm White

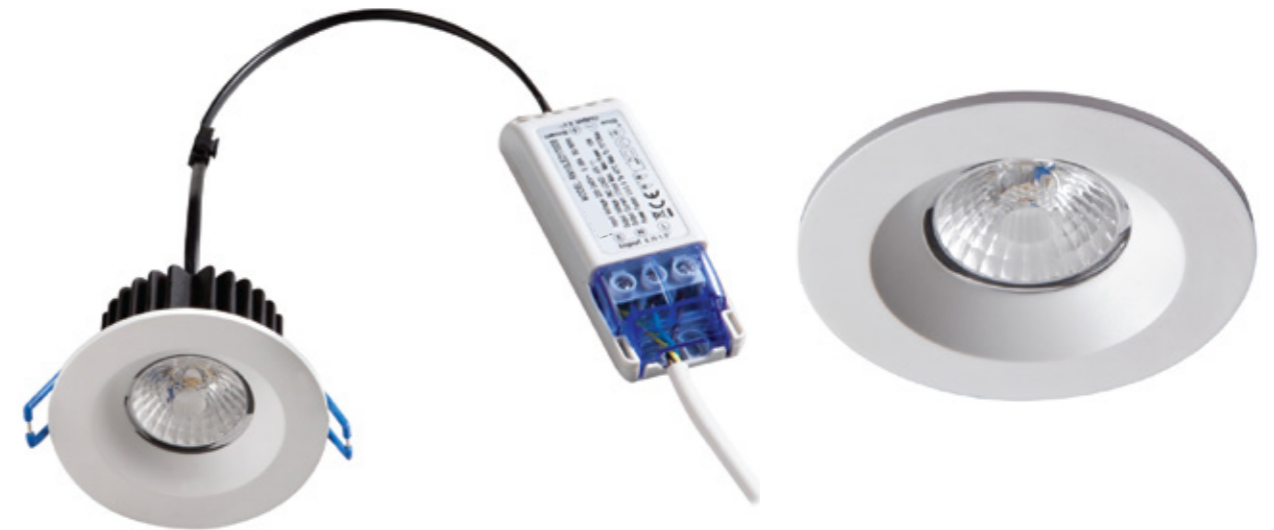
- Light output comparable to 50W halogen
- 30,000 hour average lamp life
- 100 degree beam angle
- Large screw terminals for through wiring
- Quick connect driver for faster installation



	Warm White	Cool White
<b>White</b>	<b>QL DL10R106 WT 4500K</b>	<b>QL DL10R106 WT 3000K</b>
<b>B/Chrome</b>	<b>QL DL10R106 BC 4500K</b>	<b>QL DL10R106 BC 3000K</b>
Total Power (W):	10	10
Power Factor:	0.95	0.95
Total Light Output (lm):	600	700
Beam Angle (deg):	100	100
CCT L100 (K):	4,500	3,000
CRI at L100:	85	85
Efficacy (lm / cctW):	60	70
Lifetime L70 F10 (hrs):	30,000	30,000
Depth (mm):	48	48
Width (mm):	108	108
Cut-out (mm):	92	92
Box Qty:	1	1
Weight (kg):	0.29	0.29

## 8W COB LED Dimmable Downlight Available in Cool or Warm White

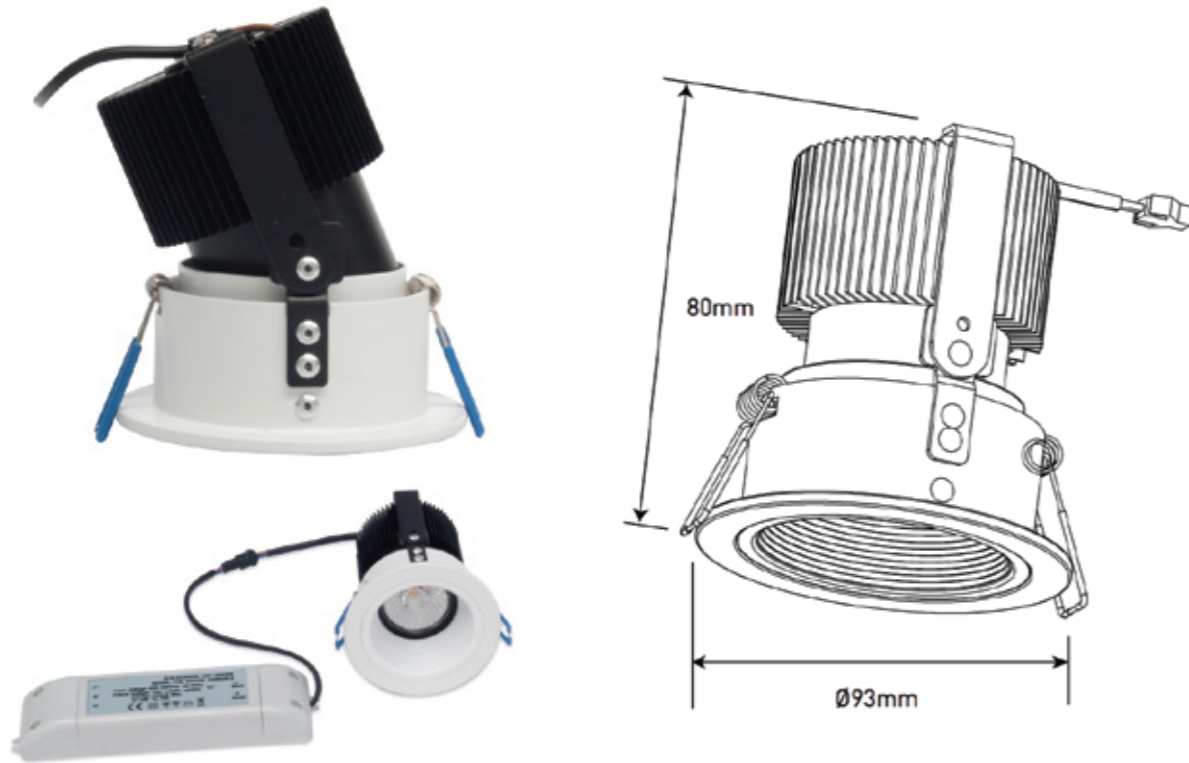
- Recessed straight downlight with die cast aluminum body
- Uses a high efficiency 8W COB LED
- Dimmable with leading and trailing edge dimmers
- High quality light output



	Warm White	Cool White
<b>White</b>	<b>QL DL8R90WT 3000K</b>	<b>QL DL8R90WT 4000K</b>
<b>Satin Silver</b>	<b>QL DL8R90ST 3000K</b>	<b>QL DL8R90ST 4000K</b>
Comparable to (halogen):	50W	50W
Total Power (W):	8	8
Power Factor:	>0.9	>0.9
Total Light Output (lm):	575	640
Beam Angle (deg):	38	38
Lux at 1m (lux):	850	900
CCT L100 (K):	3,000	4,000
CRI at L100:	80	80
Efficacy (lm / cctW):	70	80
Lifetime L70 F10 (hrs):	35,000	35,000
Diameter (mm):	90	90
Depth (mm):	50	50
Cut-out (mm):	73	73
Box Qty:	1	1
Weight (kg):	0.3	0.3

## 9W Multifunctional Downlight

- LED downlight with anti glare accessory
- High efficiency SHARP LED
- Adjustable head allows for light direction where needed
- Dimmable with leading and trailing edges dimmers



	Warm White	Cool White
	QL DL9R903A 3000K	QL DL9R93A 4000K
Comparable to (halogen):	50W	50W
Total Power (W):	9	9
Power Factor:	<0.9	<0.9
Total Light Output (lm):	550	600
Beam Angle (deg):	38	38
Lux at 1m (lux):	1,200	1,300
CCT L100 (K):	3,000	4,000
CRI at L100:	>80	>80
Efficacy (lm / cctW):	61	66
Lifetime L70 F10 (hrs):	50,000	50,000
Diameter (mm):	93	93
Depth (mm):	80	80
Cut-out (mm):	82	82
Box Qty:	1	1
Weight (kg):	0.45	0.45
IP:	20	20

## Fire Rated 3 x 3W Downlight available in Dimmable and Non-Dimmable

- Energy savings in excess of 80%
- Power consumption is less than 9W
- 3 Cree high flux, LED chips providing 550/600 lumens light output
- Exceeds light output of 50W halogen by 35%
- Dimmable and non-dimmable versions with loop in/out terminals and plug and play connectivity
- Complete with white trim, Chrome and Brushed chrome can be ordered separately
- TCI integrated chip to provide optimal drive current stability and control for enhanced performance of the Cree LEDs
- Complies with BS476 Part 21. Report and certificate from International Fire Consultants (IFC)
- Designed and tested to retain the integrity of 30, 60 and 90 minutes fire rated ceilings - compliant with Building Regulations Part B, C and E
- Emergency Option available



	Non-Dimmable WW	Non-Dimmable CW	Dimmable WW	Dimmable CW
<b>White Trim</b>	QL DL33R90WT 3000K ND	QL DL33R90WT 4000K ND	QL DL33R90WT 3000K	QL DL33R90WT 4000K
<b>Chrome Trim</b>	QL DL33R90CT 3000K ND	QL DL33R90CT 4000K ND	QL DL33R90CT 3000K	QL DL33R90CT 4000K
<b>Silver Trim</b>	QL DL33R90ST 3000K ND	QL DL33R90ST 4000K ND	QL DL33R90ST 3000K	QL DL33R90ST 4000K
Comparable to:	50W Halogen	50W Halogen	50W Halogen	50W Halogen
Total Power (W):	9	9	9	9
Power Factor:	0.55	0.85	0.55	0.85
Total Light Output (lm):	550	600	550	600
Beam Angle (deg):	36	36	36	36
Lux at 1m (lux):	1,300	1,600	1,300	1,600
CCT L100 (K):	3,000	4,000	3,000	4,000
CRI at L100:	>80	>80	>80	>80
Efficacy (lm / cctW):	61	67	61	67
Lifetime L70 F10 (hrs):	50,000	50,000	50,000	50,000
Diameter (mm):	90	90	90	90
Depth (mm):	80	80	80	80
Cut-out (mm):	60	60	60	60
Box Qty:	12	12	12	12
Weight (kg):	0.3	0.3	0.3	0.3

## 9W LEDCHROIC IP44 Dimmable Fire Rated LED Downlight

- LEDCHROIC technology, which provides the aesthetics of traditional multifaceted dichroic reflectors and has no glare
- High luminous flux LED chip array with comparable light output to many 50W LV halogen lamps, but using less than 9W total power consumption
- Efficacy of greater than 65 lumens per circuit watt
- Part L1 and L2 compliant
- Dimmable driver with loop in/out terminals and remote plug and play connectivity. Dimmable with leading and trailing edge dimmers
- 50,000 hours average LED lamp life
- Designed and tested to retain the integrity of 30, 60 and 90 minutes fire rated ceilings – compliant with Building Regulations Part B, C and E



	Warm White	Cool White
<b>White</b>	<b>QL DL9R90LD WT 3000K</b>	<b>QL DL9R90LD WT 4000K</b>
<b>B/Chrome</b>	<b>QL DL9R90LD BC 3000K</b>	<b>QL DL9R90LD BC 4000K</b>
Comparable to (halogen):	LV 50W	LV 50W
Total Power (W):	9	9
Power Factor:	>0.9	>0.9
Total Light Output (lm):	590	600
Beam Angle (deg):	38	38
Lux at 1m (lux):	1,400	1,550
CCT L100 (K):	3,000	4,000
CRI at L100:	>80	>80
Efficacy (lm / cctW):	66	67
Lifetime L70 F10 (hrs):	50,000	50,000
Diameter (mm):	90	90
Depth (mm):	115	115
Cut-out (mm):	76	76
Box Qty:	12	12
Weight (kg):	0.53	0.53

## Fire Rated Downlight c/w 4.5W GU10 LED Lamp

- Recessed, straight downlight with pressed steel body and die cast aluminum front bezel
- Fitting design and intumescent seals retain the integrity of 30, 60 and 90 minute fire rated ceiling / floor constructions
- Complies with BS476 Part 21. Report and certificate from International Fire Consultants (IFC)
- Complete with 4.5W GU10 LED lamp.
- Class 1 construction



	Warm White	Cool White
<b>White</b>	<b>QL DL4.5R91 WT GU10 3000K</b>	<b>QL DL4.5R91 WT GU10 4000K</b>
<b>Chrome</b>	<b>QL DL4.5R91 CT GU10 3000K</b>	<b>QL DL4.5R91 CT GU10 4000K</b>
<b>B/Chrome</b>	<b>QL DL4.5R91 BC GU10 3000K</b>	<b>QL DL4.5R91 BC GU10 4000K</b>
Comparable to (halogen):	50W	50W
Total Power (W):	4.5	4.5
Power Factor:	>0.75	>0.75
Total Light Output (lm):	340	360
Illuminance (lx):	575	600
Beam Angle (deg):	38	38
CCT L100 (K):	3,000	4,000
CRI at L100:	>80	>80
Efficacy (lm / cctW):	79	85
Lifetime L70 F10 (hrs):	30,000	30,000
Diameter (mm):	91	91
Depth (mm):	135	135
Cut-out (mm):	73	73
Box Qty:	10	10
Weight (kg):	0.30 / 0.32	0.30 / 0.32





# 4.0

SURFACE MOUNT FITTINGS

Reducing energy costs and the refore carbon emissions is of primary importance for all building types. Utilising the latest Surface Mount Diode LED and driver technology these fittings provide a cost effective, energy saving solution for applications ranging from illuminating bathrooms to larger communal lounge areas.

Perhaps as important, huge saving in maintenance and traditional lamp change costs can be achieved to provide very short paybacks where automatic switching by sensor is employed which reduces traditional lamp life considerably OR continuous use operation causing ballast life to be adversely affected.

**SUITABLE FOR PIR SWITCHING**

Microwave, PIR & Photocell

**CEILING AND WALL MOUNTABLE**

Ideal for apartments, public building, stairwells, corridors, and a variety of areas



**4,000K WITH HIGH CRI**

Clear visibility Ideal for security lighting

**LONG SERVICE LIFE**

Aluminium Base with PMMA twist and lock trim and frosted diffuser

**SURFACE MOUNT LED**

30,000 hours average LED lamp life  
>55% Energy Saving compared to conventional fluorescent fittings

**10W SMD LED Retrofit Tray**

- Universal Retrofit Led tray converts standard 2D fittings to low energy LED
- Only 10W total power consumption, 50% energy saving compared to conventional 2D fittings
- 50,000 hour average lamp life
- Universal mounting - tray fits many existing fitting
- Actual photometric performance dependent on fitting and diffuser into which plate is installed



\* C/w 3 hour emergency gear

Standard Emergency*	QL SL10RFT 4000K QL SL10RFT EM 4000K
Total Power (W):	10
Power Factor:	0.9
Lumens L100 (lm):	900
Beam Angle (ded):	110
Lux at 1m (lux):	300
CCT L100 (K):	4000
CRI at L100:	75
Luminaire lm/cctW:	90
Lifetime L70 F10 (hrs):	50000
Diameter (mm):	254
Depth (mm):	55
Weight (kg):	0.70
<b>Standard</b>	<b>0.7</b>
<b>Emergency</b>	<b>0.85</b>

## 10W LED with Pro--diffuser

- Energy savings of almost 65%
- High efficiency Pro--diffuser allows maximum light transmission, provides low glare, creates even light distribution - no hot spots
- High impact resistant polycarbonate Pro--diffuser is strong and durable
- Utilises high quality long life SMD technology, providing 750 lumens using only 10 watts of power
- 75 luminaire lumens/circuit watt
- Compliant with Building Regulations Part L1 and L2
- Can be switched by microwave, PIR and/or photocell
- Microwave Sensor available
- Chrome trim available
- Suitable for 24/7 use



	Standard	Emergency
<b>White</b>	<b>QL CL10SC WT</b>	<b>QL CL10SC EM WT</b>
<b>Chrome Trim</b>	<b>QL CL10SC CT</b>	<b>QL CL10SC EM CT</b>
Comparable to:	28W 2D	28W 2D
Total Power (W):	10	10
Power Factor:	0.75	0.75
Total Light Output (lm):	750	180
Beam Angle (deg):	110	110
Lux at 1m (lux):	230	230
CCT L100 (K):	4,000	4,000
CRI at L100:	75	75
Efficacy (lm/cctW):	75	75
Lifetime L70 F10 (hrs):	50,000	50,000
Diameter (mm):	330	330
Depth (mm):	118	118
Box Qty:	6	6
Weight (kg):	1.4	1.8

### Pro-diffuser

#### a new innovation

- 30% greater output than standard diffusers
- 200 times the impact resistance of glass
- Even light distribution
- Eliminates hot spots and visible lamps

## SMD LED Fitting, 24W

- Aluminium base with PMMA twist and lock trim and frosted diffuser, providing excellent heat conduction and maximising light output
- Low glare, even light distribution with no hot spots
- Utilises surface mount Samsung LED technology ensuring excellent efficacy with minimised lumen and CCT depreciation
- One for one replacement for compact fluorescent; saving over 50% energy
- 4,000K colour temperature with high CRI
- Can be switched by microwave, PIR and/or photocell



<b>QL CL24SO 265</b>	<b>White</b>
Comparable to:	38W 2D
Total Power (W):	24
Total Light Output (lm):	1,450
Lux at 1m (lx):	430
Beam Angle (deg):	120
CCT L100 (K):	4,000
CRI L100 (Ra):	85
Efficacy (lm/cctW):	>60
Power Factor:	>0.8
Lifetime L70 F10 (hrs):	30,000
Operating Temperature (oC):	-10<Ta<+40
IP:	20
Box Qty:	10
Weight (kg):	0.9
Diameter (mm)*:	265
Depth (mm):	106

#### \* Diameter (mm)

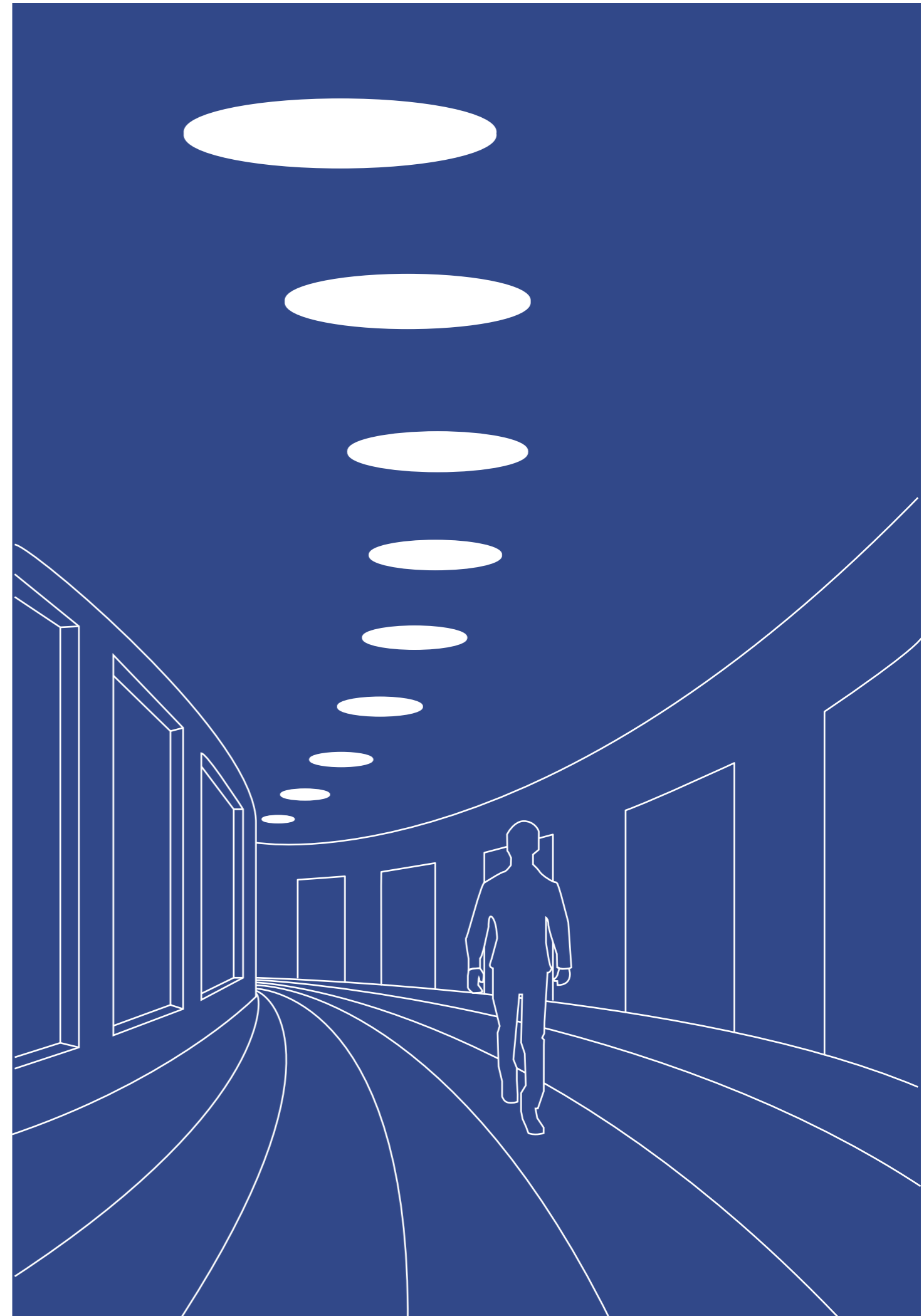
<b>QL CL24SO 325</b>	<b>325</b>
<b>QL CL24SO 395</b>	<b>395</b>

## 7W Compact LED Fitting c/w driver

- Robust and vandal resistant polycarbonate opal diffuser with ABS base
- LED replacement for 28W 2D Surface fittings
- High efficiency opal diffuser
- C/w driver
- 50,000 hour average lamp life
- Compliant with Building Regulations Part L1 and L2



OL SL7S284	Standard
OL SL7S284 EM	Emergency
<b>Comparable to:</b>	28W 2D
<b>Total Power (W):</b>	7
<b>Total Light Output (lm):</b>	530 Standard 142 Emergency
<b>Illuminance at 1m (lx):</b>	180
<b>Beam Angle (deg):</b>	110
<b>Colour Temp L100 (k):</b>	4,000
<b>CRI L100 (Ra):</b>	75
<b>Efficacy (lm/cctW):</b>	76
<b>Power Factor:</b>	>0.5
<b>Average LED Life L70 F10 (hrs):</b>	50,000
<b>Operating Ambient Temperature (°C):</b>	- 10<ta<+25
<b>Box Qty:</b>	6
<b>Weight (kg):</b>	Standard 1.03 Emergency 1.33
<b>CCT L100 (K):</b>	4,000
<b>Diameter (mm):</b>	284
<b>Depth (mm):</b>	87





# 5.0

BATHROOM RANGE



## 4.5W LED recessed shower downlight

- Recessed shower downlight with pressed steel body and die cast aluminum front bezel
- Fitting design and intumescent seals retain the integrity of 30, 60 and 90 minute fire rated ceiling / floor constructions
- Complies with BS476 Part 21.
- Complete with 4.5W GU10 LED lamp.
- Class 1 construction



	Warm White	Cool White
<b>White</b>	<b>QL BL4.5R91 WT GU10 3000K</b>	<b>QL BL4.5R91 WT GU10 4000K</b>
<b>Chrome</b>	<b>QL BL4.5R91 CT GU10 3000K</b>	<b>QL BL4.5R91 CT GU10 4000K</b>
<b>B/Chrome</b>	<b>QL BL4.5R91 BC GU10 3000K</b>	<b>QL BL4.5R91 BC GU10 4000K</b>
Comparable to (halogen):	50W	50W
Total Power (W):	4.5	4.5
Power Factor:	>0.75	>0.75
Total Light Output (lm):	340	360
Illuminance (lx):	560	575
Beam Angle (deg):	38	38
CCT L100 (K):	3,000	4,000
CRI at L100:	>80	>80
Efficacy (lm / cctW):	76	80
Lifetime L70 F10 (hrs):	30,000	30,000
Diameter (mm):	91	91
Depth (mm):	135	135
Cut-out (mm):	73	73
Ingress Protection (IP):	65	65
Box Qty:	10	10
Weight (kg):	0.32	0.32

## Fire Rated Premim, Shower + Emerald 4.5W LED Lamp 3000K, Chrome

- Recessed straight downlight with pressed steel body and die case aluminium front bezel
- Fitting design and intumescent seals retain the integrity of 30, 60, 90 minute fire rated ceiling/floor constructions
- Complies with BS476 Part 21. Report and certificate from INTERNATIONAL FIRE CONSULTANTS (IFC)
- Complete with 4.5W GU10 LED lamp
- Class 1 construction



<b>QL BL4.5R91 CT GU10 3000K</b>	
Colour:	Chrome
Alternatives:	White / Brushed Chrome
Comparable to:	50W Halogen
Total Power (W):	4.5
Power Factor:	>0.75
Lumens L100 (lm):	340
Beam Angle (deg):	38
Lux at 1m (lux):	550
CCT L100 (K):	3000
CRI at L100:	>80
Luminaire lm/cctW:	75.556
Lifetime L70 F10 (hrs):	30000
Diameter (mm):	91
Depth (mm):	135
Cut-out (mm):	76
Box Qty:	10
Weight (kg):	0.32

## IP65 GU/GZ10 Shower Downlight

- Die cast aluminium construction
- GZ10 lamp holder for 230/240V 50W halogen lamps
- Sealed to protect ceiling from moisture ingress



QL BL5 SDL GU10 WT	White
QL BL5 SDL GU10 CT	Chrome
QL BL5 SDL GU10 BC	B Chrome
Total Power (W):	5
Diameter (mm):	83
Depth (mm):	105
Cut-out (mm):	72
Box Qty:	10
Weight (kg):	0.27
Cap Type:	GU10





6.0  
DISPLAY AND STRIPLIGHT



## LED 36W Recessed Wall Washer

- LED replacement, comparable to 35W metal halide
- Part L2 compliant
- Adjustable tilt of 60°
- No UV content
- No lamp changes
- Frosted glass to minimise glare

QL DSL36RWW 4500K	White
Total Power (W):	34
Power Factor:	0.95
Lumens L100 (lm):	2,500
Luminaire lm/cctW:	73
CCT L100 (K):	4,500
CRI at L100:	70
Length (mm):	230
Width: (mm)	144
Height (mm):	134
Cut-out (mm):	130 x 220
Box Qty:	1
Weight (kg):	2



## 35 W LED Downlight, Adjustable

- Light output greater than 50W metal halide
- Adjustable, rotates up to 350° with downward tilt to 70°
- 50,000 hour average lamp life
- 4,000K cool white light output
- 70° beam angle
- Part L2 compliant



QL DSL35R195AWW 4000K	White
Comparable to:	>35W Metal Halide
Total Power (W):	35
Power Factor:	0.95
Total Light Output (lm):	2,800
Beam Angle (deg):	70
Lux at 1m (lux):	2,000
CCT L100 (K):	4,000
CRI at L100:	85
Efficacy (lm/cctW):	80
Lifetime L70 F10 (hrs):	50,000
Diameter (mm):	195
Depth (mm):	175
Cut-out (mm):	170
Box Qty:	1
Weight (Kg):	1.5

## 5M LED Strip Warm White c/w Driver

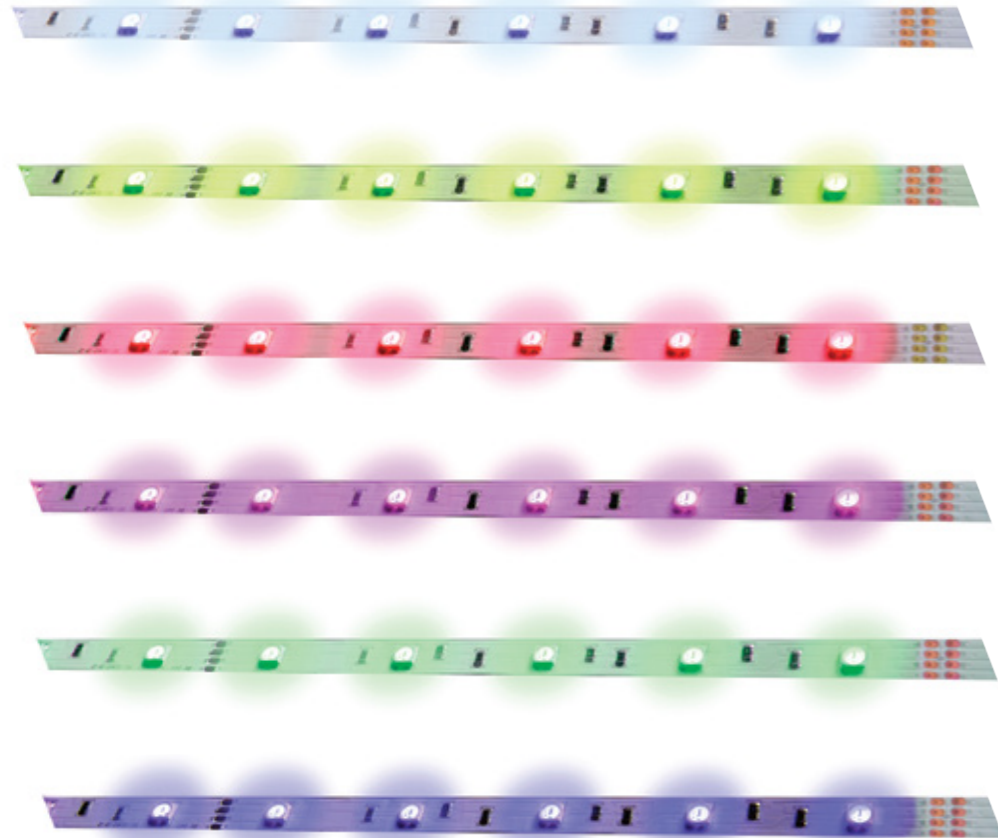
- Easily cut with scissors, can be cut every 5 LEDs
- Multi directional joiners
- 45W driver
- Ideal under counter lighting for domestic or commercial
- High efficiency, low power consumption



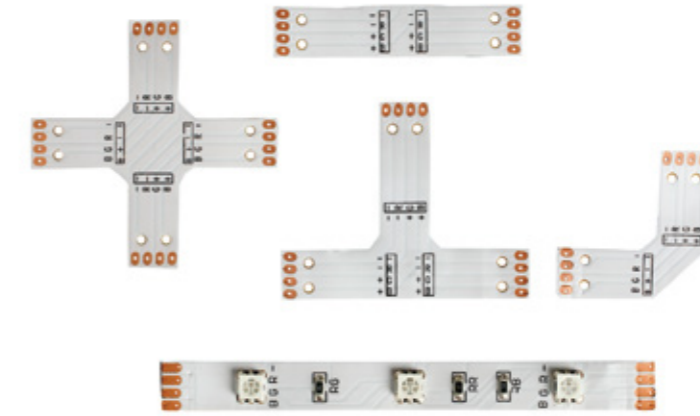
QL DSL5M WW	
Total Power (W):	30
Beam Angle (deg):	120
CCT L100 (K):	3,000
Lifetime L7- F10 (hrs):	20,000
Length (mm):	5,000
Depth (mm):	24
Box Qty:	1
Weight (kg):	0.4

## 5M LED Strip - RGB and WW versions

- Supplied with one live- end and one each of I, L, T and X connectors and 4 push-on connectors. No tools or solders required
- Can be cut every 5 LEDs
- Self adhesive 3M tape on the back of each strip
- 20,000 hour average lamp life



QL DSL5M RGB	RGB
Total Power (W):	30
Length(mm):	500
Width (mm):	20
Height (mm):	2
Box Qty:	1
Weight (kg):	0.2



### Live end

QL DSL CLE	Live end
Pack Qty:	1

- Live end allows direct connection to LED strip or extending the strip to another location

### Push on connector

QL DSL POC	2
Pack Qty:	2

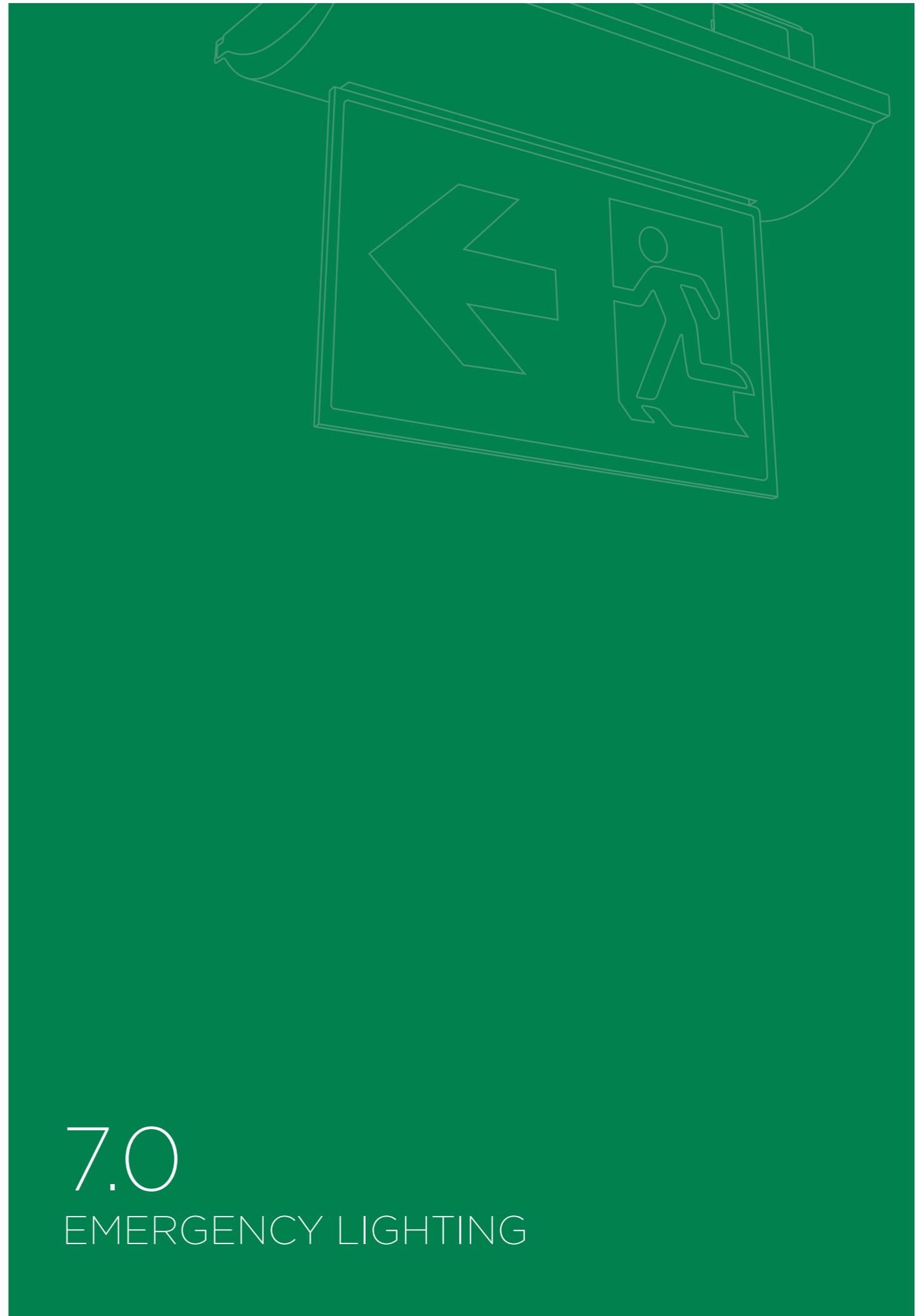
- For joining and terminating strips



### Connectors

QL DSL IC	I connector
QL DSL LC	L connector
QL DSL TC	T connector
QL DSL XC	X connector
Pack Qty:	2 per individual item

- For joining and terminating strips



# 7.0

EMERGENCY LIGHTING

## 2W LED Non-maintained Emergency Downlight

- Recessed
- 3 hour emergency operation
- 120° beam angle
- Non-maintained
- Includes manual test button and LED indicated
- Adjustable trim enables compatibility with cut-out diameters of 72mm and 110mm

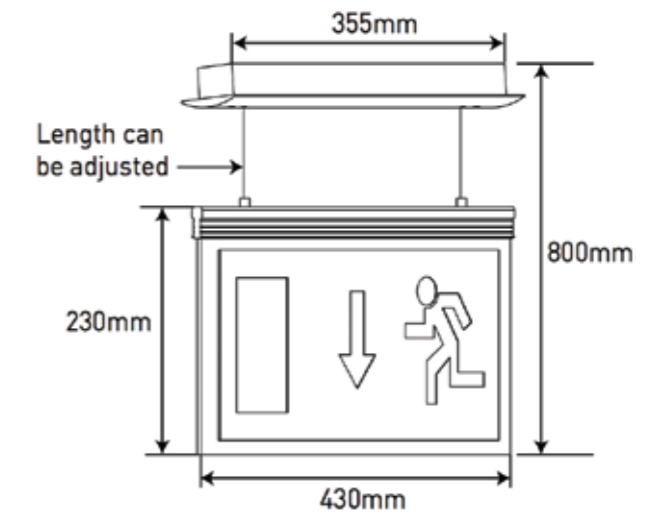


### QL EL2R130

Total Power (W):	2
Total Light Output (lm):	190
CRI:	75
CCT:	700
Lux at 1m:	25
Lifetime hours:	30,000
Depth (mm):	65
Diameter (mm):	130
Box Qty:	1
Weight (kg):	0.71

## LED Blade Light Exit Sign

- Permanently maintained emergency exit sign illuminated by 8 LEDs
- 3hr NiCd battery back up
- LEDs enclosed on linear PCB
- Supported by adjustable cables
- Visible up to 36m
- 50,000 hour average lamp life
- Recessed or surface mounted
- C/w ceiling mounting clips



### QL EL2 BLES W

### White

Total Power (W):	2
Depth (mm):	14
Length (mm):	430
Height (mm):	230
Box Qty:	1
Weight (kg):	1.75

## 1 x 3W Non-maintained Downlight, Adjustable

- 3W LED with high lumen output
- 20° adjustable head
- 3 hour emergency operation
- Single spring retention clips for easy installation
- Small compact fitting
- C/w 3 cell NiMH battery and green charging LED indicator
- An alternative to bulky emergency packs. An ideal solution where emergency versions of standard fittings are not available

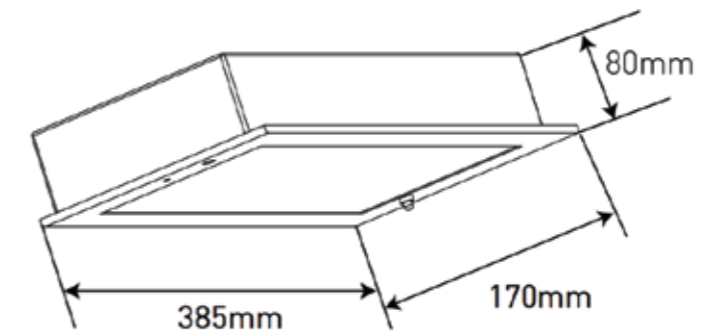


### QL EL3NMDL A

Total Power (W):	3
Diameter (mm):	60
Cut-out (mm):	45
Box Qty:	1
Weight (kg):	0.12

## 8W Maintained Emergency Bulkhead, including white & chrome accessory plates

- Recessed
- Fully flush mounted maintained luminaire
- Complete with opal diffuser
- White bezel rim as standard. Chrome bezel accessory also included
- 3 hour emergency use for maintained or non maintained operation
- Includes large terminals for loop in loop out connection
- High frequency inverter (maintained 30-40khz, non maintained 20-30khz)
- IP20 - for indoor use
- Complete with charging LED indicator



### QL EL8R375X150

White & B Chrome

Total Power (W):	8
Depth (mm):	60
Length (mm):	385
Width (mm):	170
Cut-out (mm):	375x150
Box Qty:	4
Weight (kg):	1.56
Cap Type:	G5

## Universal Emergency fitting available in T5 and LED

- Fitting can be used in multiple applications - surface mounted, recessed or with dropped legend
- Complete with NiCad rechargeable battery - 3 hour emergency operation
- Maintained fitting can be wired as non maintained
- Clip on cover for easy installation
- C/w 4 piece legend set
- Automatically self test once a week - test lasts 15 min. Automatic self test performance twice a year - test lasts 3 hours



	<b>T5</b>	<b>LED</b>
	<b>QL EL8S UE</b>	<b>QL EL4.5S UE</b>
Total Power (W):	8	4.5
Depth (mm):	80	80
Length (mm):	350	350
Height (mm):	175	175
Cut-out (mm):	275x130	275x130
Box Qty:	6	6
Weight (kg):	1.2	1.2
Cap Type:	G5	LED

### Dropped legend accessory for Universal Emergency fitting

- Viewing distance 36m
- Polycarbonate Body, acrylic sign
- Spring retained drop down sign
- C/w 8 piece legend set
- Mounted flexible clips



<b>QL MULK-15</b>	<b>Satin Silver</b>
Length (mm):	350
Box Qty:	6

## 8W Maintained Exit Box

- C/w running man legend with arrow facing down
- Emergency duration of 3 hours
- Can be wired as non-maintained
- Viewing distance up to 30m
- Left and right running man legend panels available



	<b>QL EL8 BHEEB</b>	<b>QL EL3 BHEEB</b>
Total Power (W):	8	3
Depth (mm):	67	60
Length (mm):	430	390
Height (mm):	200	190
Box Qty:	6	6
Weight (kg):	2.3	1.4
Cap Type:	G5	-

## LED Maintained Exit Box

- C/w running man legend with arrow facing down
- 3 hour emergency operation
- Complies with EN 60598-2-22
- Only 3W in maintained mode
- Can be wired as maintained and non-maintained fitting
- No lamp replacements, reduced maintenance costs
- 30,000 hour average lamp life
- Left and right running man legend panels available



QL EL8 MEB	White
Total Power (W):	8
Depth (mm):	67
Length (mm):	430
Height (mm):	200
Box Qty:	6
Weight (kg):	2.3
Cap Type:	G5

### Running Man Right, Spare Legend for Exit Box

QL EBH RMR	use with QL EL8 BHEEB
QL EBH RMR2	use with QL EL8 MEB
Box Qty	1

### Running Man Left, Spare Legend for Exit Box

QL EBH RML	use with QL EL8 BHEEB
QL EBH RML2	use with QL EL8 MEB
Box Qty	1

### Running Man Up, Spare Legend for Exit Box

QL EBH RMU	use with QL EL8 BHEEB
QL EBH RMU2	use with QL EL8 MEB
Box Qty	1



## IP65 2.6W LED replacement for 8W bulkhead

- 3 hour emergency operation
- Maintained and non-maintained options
- Complies with EN 60598-2-22
- Only 3W in maintained mode
- No lamp replacements, reduced maintenance costs
- IP65, suitable for indoor or outdoor use
- 30,000 hours average lamp life
- Double sided exit diffuser available (allowing removal of existing diffuser and conversion to double sided exit)



	Standard	Test Switch
	QL EL2.6BH-01	QL EL2.6BH-02
Total Power (W):	2.6	2.6
Length (mm):	352	352
Depth (mm):	57	57
Width (mm):	110	110
Weight (kg):	0.57	0.57

### Double Sided Bulkhead accessory for QL EL2 6BH

QL EL8 DSBH	White
Length (mm):	350
Depth (mm):	120
Width (mm):	200
Box Qty:	1
Weight (kg):	1



## IP65 Maintained 8W LED bulkhead, C/W test switch, 4pcs legend stickers

- 3 hour emergency operation
- Complies with EN 60598W2W22
- Only 3W in maintained mode
- No lamp replacements, reduced maintenance costs
- IP65, suitable for indoor or outdoor use
- 30,000 hours average lamp life
- Hinged gear tray allowing for ease of wiring and installation
- C/W Test Switch
- Provides 100% of the maintained output
- Double sided exit accessory available (allowing removal of existing diffuser and conversion to double sided exit)

### QL EL8BH TS

Colour:	White
Total Power (W):	2.6
Power Factor:	0.4
Lumens L100 (lm):	70
CCT L100 (K):	6000
CRI at L100:	>65
Luminaire lm/cctW:	26.923
Lifetime L70 F10 (hrs):	30000
Length (mm):	352
Width (mm):	110
Depth (mm):	57
Weight (kg):	0.57



## IP65 8W Maintained Bulkhead with Test Switch

- 3 hour duration, with NiCd rechargeable battery
- White ABS housing & PC diffuser - impact resistant
- Self Adhesive running men available (QLBULKLEG)
- IP65 ingress protection - weatherproof
- UV stabilised
- With local test switch
- Requires 8W T5 tube

### QL EL8 MBH TS

Total Power (W):	8
Depth (mm):	90
Length (mm):	368
Width (mm):	119
Box Qty:	6
Weight (kg):	1.1
Cap Type:	G5



## IP65 8W Bulkhead available in Maintained and Non-maintained

- 3 hour duration, with NiCd rechargeable battery
- ABS housing and polycarbonate diffuser
- Self adhesive running men available as extra for exit box application (Product code QL EBH SAL)
- IP65 ingress protection, suitable for indoor & outdoor use - weather proof



	Maintained	Non-Maintained
	QL EL8 MBH	QL EL8 MBH
Total Power (W):	8	8
Length (mm):	368	368
Width (mm):	119	119
Proj (mm):	90	90
Box Qty:	10	10
Weight (kg):	1.23	1.23
Cap!Type:	G5	G5

## Bulkhead Self - Adhesive Legend



### QL EBH SAL

Length (mm):	255
Width (mm):	219
Box Qty:	10



## Double Sided Bulkhead Accessory

- Comes with running man 'down' legend
- Left and Right running man legends available



### QL EL8 DSBH

Length (mm):	350
Width (mm):	200
Depth (mm):	120
Weight (kg):	1.00

## Universal Emergency Fitting (Taclite), White

- Fitting can be used in multiple applications W surface mounted, recessed or with dropped legend
- Complete with NiCad rechargeable battery W 3 hour emergency operation
- Maintained fitting can be wired as non maintained
- Clip on cover for easy installation
- C/w 4 piece legend set
- Automatic self test performed once a week – test lasts 15mins. Automatic self test performed once a year – test lasts 3 hours.



### QL EL8 UEF W

Colour:	White
Total Power (W):	8
Power Factor:	>0.7
Lumens L100 (lm):	145
CCT L100 (K):	5000
CRI at L100:	>80
Luminaire lm/cctW:	18.125
Length (mm):	350
Depth (mm):	80
Height (mm):	175
CutWout (mm):	275x130
Box Qty:	6
Weight (kg):	1.15





8.0

KITCHEN AND FURNITURE FITTINGS

### 3W LED Linkable Striplight, 275mm

- Comparable to T4 6W
- Energy savings of upto 50% compared with traditional T4 strip lights
- Complete kit includes: fitting with male and female butt connectors; plugWin power cord 1850mm long; 600mm linking cables; vertical and horizontal mounting clips; link up to 6 fittings together
- Integral LED driver makes a fast and neat installation
- Ultra slim with integral switch. Switch all fittings on with main switch or can be individually switched.



	QL KL3 LS275 3000K	QL KL3 LS275 4000K
Colour:	Warm White LEDs	Cool White LEDs
Comparable to:	6W T4	6W T4
Total Power (W):	3	3
Power Factor:	0.5	0.5
Lumens L100 (lm):	210	250
Beam Angle (deg):	130	130
Lux at 1m (lux):	60	60
CCT L100 (K):	3000	4000
CRI at L100:	80	80
Luminaire lm/cctW:	70	83.333
Lifetime L70 F10 (hrs):	30000	30000
Length (mm):	275	275
Width (mm):	25	25
Depth (mm):	43	43
Box Qty:	10	10
Weight (kg):	0.10	0.10

### 4W LED Linkable Striplight, 395mm

- Comparable to T4 8W
- Energy savings of up to 50% compared with traditional T4 strip lights
- Complete kit includes: fitting with male and female butt connectors; plugWin power cord 1850mm long; 600mm linking cables; vertical and horizontal mounting clips; link up to 6 fittings together
- Integral LED driver makes a fast and neat installation
- Ultra slim with integral switch. Switch all fittings on with main switch or can be individually switched.



	QL KL4 LS395 3000K	QL KL4 LS395 4000K
Colour:	Warm White LEDs	Cool White LEDs
Comparable to:	8W T4	8W T4
Total Power (W):	4	4
Power Factor:	0.5	0.5
Lumens L100 (lm):	320	380
Beam Angle (deg):	130	130
Lux at 1m (lux):	85	85
CCT L100 (K):	3000	4000
CRI at L100:	80	80
Luminaire lm/cctW:	80	95
Lifetime L70 F10 (hrs):	30000	30000
Length (mm):	395	395
Width (mm):	25	25
Depth (mm):	43	43
Box Qty:	10	10
Weight (kg):	0.14	0.14

## 8W LED Linkable Striplight, 520mm

- Comparable to T4 16W
- Energy savings of up to 50% compared with traditional T4 strip lights
- Complete kit includes: fitting with male and female butt connectors; plugWin power cord 1850mm long; 600mm linking cables; vertical and horizontal mounting clips; link up to 6 fittings together
- Integral LED driver makes a fast and neat installation
- Ultra slim with integral switch. Switch all fittings on with main switch or can be individually switched.



	QL KL8 LS520 3000K	QL KL8 LS520 4000K
Colour:	Warm White LEDs	Cool White LEDs
Comparable to:	6W T4	16W T4
Total Power (W):	3	8
Power Factor:	0.5	0.5
Lumens L100 (lm):	210	770
Beam Angle (deg):	130	130
Lux at 1m (lux):	60	180
CCT L100 (K):	3000	4000
CRI at L100:	80	80
Luminaire lm/cctW:	70	96.25
Lifetime L70 F10 (hrs):	30000	30000
Length (mm):	275	520
Width (mm):	25	25
Depth (mm):	43	43
Box Qty:	10	10
Weight (kg):	0.10	0.18

## 10W LED Linkable Striplight, 620mm

- Comparable to T4 20W
- Energy savings of up to 50% compared with traditional T4 strip lights
- Complete kit includes: fitting with male and female butt connectors; plugWin power cord 1850mm long; 600mm linking cables; vertical and horizontal mounting clips; link up to 6 fittings together
- Integral LED driver makes a fast and neat installation
- Ultra slim with integral switch. Switch all fittings on with main switch or can be individually switched.



	QL KL10 LS620 3000K	QLKL10 LS620 4000K
Colour:	Warm White LEDs	Cool White LEDs
Comparable to:	20W T4	20W T4
Total Power (W):	10	10
Power Factor:	0.5	0.5
Lumens L100 (lm):	800	880
Beam Angle (deg):	130	130
Lux at 1m (lux):	220	220
CCT L100 (K):	3000	4000
CRI at L100:	80	80
Luminaire lm/cctW:	80	88
Lifetime L70 F10 (hrs):	30000	30000
Length (mm):	620	620
Width (mm):	25	25
Depth (mm):	43	43
Box Qty:	10	10
Weight (kg):	0.22	0.22

## 14W LED Linkable Striplight, 815mm

- Comparable to T4 30W
- Energy savings of up to 50% compared with traditional T4 strip lights
- Complete kit includes: fitting with male and female butt connectors; plugWin power cord 1850mm long; 600mm linking cables; vertical and horizontal mounting clips; link up to 6 fittings together
- Integral LED driver makes a fast and neat installation
- Ultra slim with integral switch. Switch all fittings on with main switch or can be individually switched.



	QL KL14 LS815 3000K	QL KL14 LS815 4000K
Colour:	Warm White LEDs	Cool White LEDs
Comparable to:	30W T4	30W T4
Total Power (W):	14	14
Power Factor:	0.5	0.5
Lumens L100 (lm):	1100	1230
Beam Angle (deg):	130	130
Lux at 1m (lux):	320	320
CCT L100 (K):	3000	4000
CRI at L100:	80	80
Luminaire lm/cctW:	78.571	87.857
Lifetime L70 F10 (hrs):	30000	30000
Length (mm):	815	815
Width (mm):	25	25
Depth (mm):	43	43
Box Qty:	10	10
Weight (kg):	0.28	0.28

## LED 2W Triangular Cabinet Light, Mains voltage

- Light output comparable to 10W halogen
- 20,000 hour average lamp life
- No UV or infra red in the light beam, ensuring suitability for sensitive display items
- Mains operation
- C/w 1.5m cable
- 3,500K



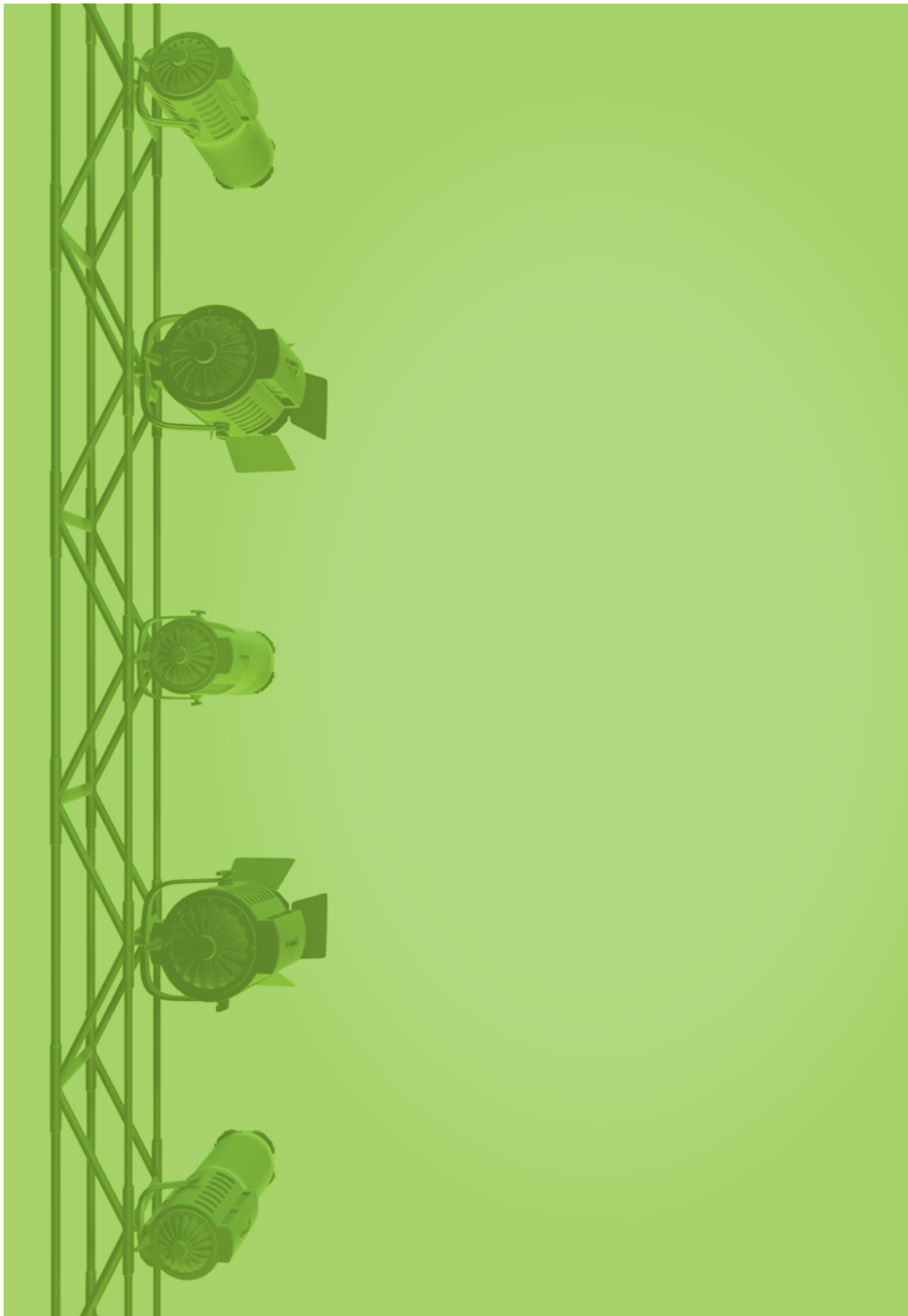
QL KL2TCL MV BC WW	Warm White / B Chrome
QL KL2TCL MV BC CW	Cool White / B Chrome
Total Power (W):	2
Beam Angle (deg):	120
CCT L100 (K):	3,300K WW / 4,200K CW
Width (mm):	120
Depth (mm):	44
Height (mm):	140
Box Qty:	10
Weight (kg):	0.25

## Triangular Cabinet Downlight, 12V

- Complete with lamp and 1.5m cable

QL KH20 TCD BC	B Chrome
Total Power (W):	20
Width (mm):	125
Depth (mm):	40
Height (mm):	120
Box Qty:	10
Weight (kg):	0.25
Cap Type:	G4





# 9.0

TRACKS AND PROJECTORS

## 7W LED Track Spot

- Light output comparable to 50W halogen
- 50,000 hour average lamp life
- 3,000K
- 30° beam angle
- Suitable for single circuit track



QL TPL7 W 3000K	White
QL TPL7 C 3000K	B Chrome
Comparable to:	50W Halogen
Total Power (W):	9
Power Factor:	0.8
Beam Angle (deg):	30
CCT L100(K):	3,000
CRI at L100:	80
Length (mm):	75.5
Height (mm):	49.5
Box Qty:	1
Weight (kg):	0.3

## LED Track Spot Available in 15W

- Light output comparable to 20W/35W metal halide
- 30,000 hour average lamp life
- 4,000K
- Fits most 3 circuit track fittings



QL TPL15 3CT W	White
Comparable to:	20W Metal Halide
Total Power (W):	15
CCT L100(K):	4,000
Diameter:	93
Depth (mm):	29.5
Height (mm):	102
Box Qty:	1
Weight (kg):	1.2

## Accessory Holder

- Holder for QL 350HC honeycomb louvre and QL35SPR spot reflector
- QL3HOLD for use with QL3P35BS & QL3P50
- QL3HOLDMH for use with QL3P35, QL3P70 & QL3P150

	GX10 / MR16	G12
White	QL TP AH GX10 / MR16 W	QL TP AH G12 W
Satin Silver	QL TP AH GX10 / MR16 SS	QL TP AH G12 SS
Box Qty	1	1



## Barndoor

- Barn door for light management
- QL350BD for use with QL3P35BS & QL3P50
- QL350BDMH for use with QL3P35, QL3P70 & QL3P150

	GX10 / MR16	G12
White	QL TP AH GX10 / MR16 W	QL TP AH G12 W
Satin Silver	QL TP AH GX10 / MR16 SS	QL TP AH G12 SS
Box Qty	1	1



## Honeycomb Louvre

- Louvre accessory for glare control
- QL350HC for use with QL3P35BS & QL3P50

	GX10 / MR16
	QL TP AH GX10 / MR16 W
Box Qty	1



## Spot Reflector

- Spot reflector for narrow beam of light
- For use with QL 3P35, QL 3P70 & QL 30150 fittings

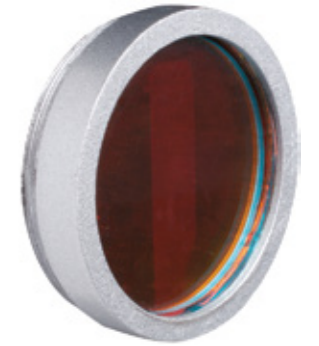
	GX10 / MR16
	QL TP SR
Box Qty	1



## Coloured Glass

- Coloured glass for display lighting
- QL 3CG for use with QL 3P35BS & QL 3P50
- QL 3CGMH for use with QL 3P35, QL 3P70 & QL 3P150

	GX10 / MR16	G12
Red	QL TP CG GX10 / MR16 R	QL TP CG G12 R
Blue	QL TP CG GX10 / MR16 B	QL TP CG G12 B
Green	QL TP CG GX10 / MR16 G	QL TP CG G12 G
Box Qty	20	20



## 3 Circuit Track, 1m/2m/3m

- Global Track from Nordic Aluminium
- Polyester painted extruded aluminium alloy
- Max 16 Amp load for the combined 3 circuits
- Connectors, live and dead ends to be ordered separately

	1m	2m	3m
White	QL TP 3CT 1M W	QL TP 3CT 2M W	QL TP 3CT 3M W
Satin Silver	QL TP 3CT 1M SS	QL TP 3CT 2M SS	QL TP 3CT 3M SS
Box Qty	1	1	1



## Universal Electrical Adaptor Pack 1

Allows electrical connection to the majority of leading 3 circuit brands

White	QL TP 3CT UEAP W
Satin Silver	QL TP 3CT UEAP SS



## Universal Electrical Adaptor Pack 2

Allows electrical connection to QLITE single circuit track

White	QL TP UEAP W
Satin Silver	QL TP UEAP SS





### Flexible connector (3 Circuit Track)

White	QL TP 3CT FC W
Satin Silver	QL TP 3CT FC SS



### X Connector Earth Inside (3 Circuit Track)

White	QL TP 3CT XCEI W
Satin Silver	QL TP 3CT XCEI SS



### In-line Connector Earth Inside

White	QL TP ILCEI W
Satin Silver	QL TP ILCEI SS



### L Connector Earth

	Inside	Outside
White	QL TP 3CT LCEI W	QL TP 3CT LCEO W
Satin Silver	QL TP 3CT LCEI SS	QL TP 3CT LCEO SS



### T Connector Earth

	Inside	Outside
White	QL TP 3CT TCEI W	QL TP 3CT TCEO W
Satin Silver	QL TP 3CT TCEI SS	QL TP 3CT TCEO SS



### Live End Earth

	Inside	Outside
White	QL TP 3CT LEEI W	QL TP 3CT LEEO W
Satin Silver	QL TP 3CT LEEI SS	QL TP 3CT LEEO SS



### Dead End

White	QL TP DE W
Satin Silver	QL TP DE SS



### Wire Suspension Kit

- Adjustable wire suspension for 3 circuit track
- 3m x 1.5mm square wire

White	QL TP WSK W
-------	-------------

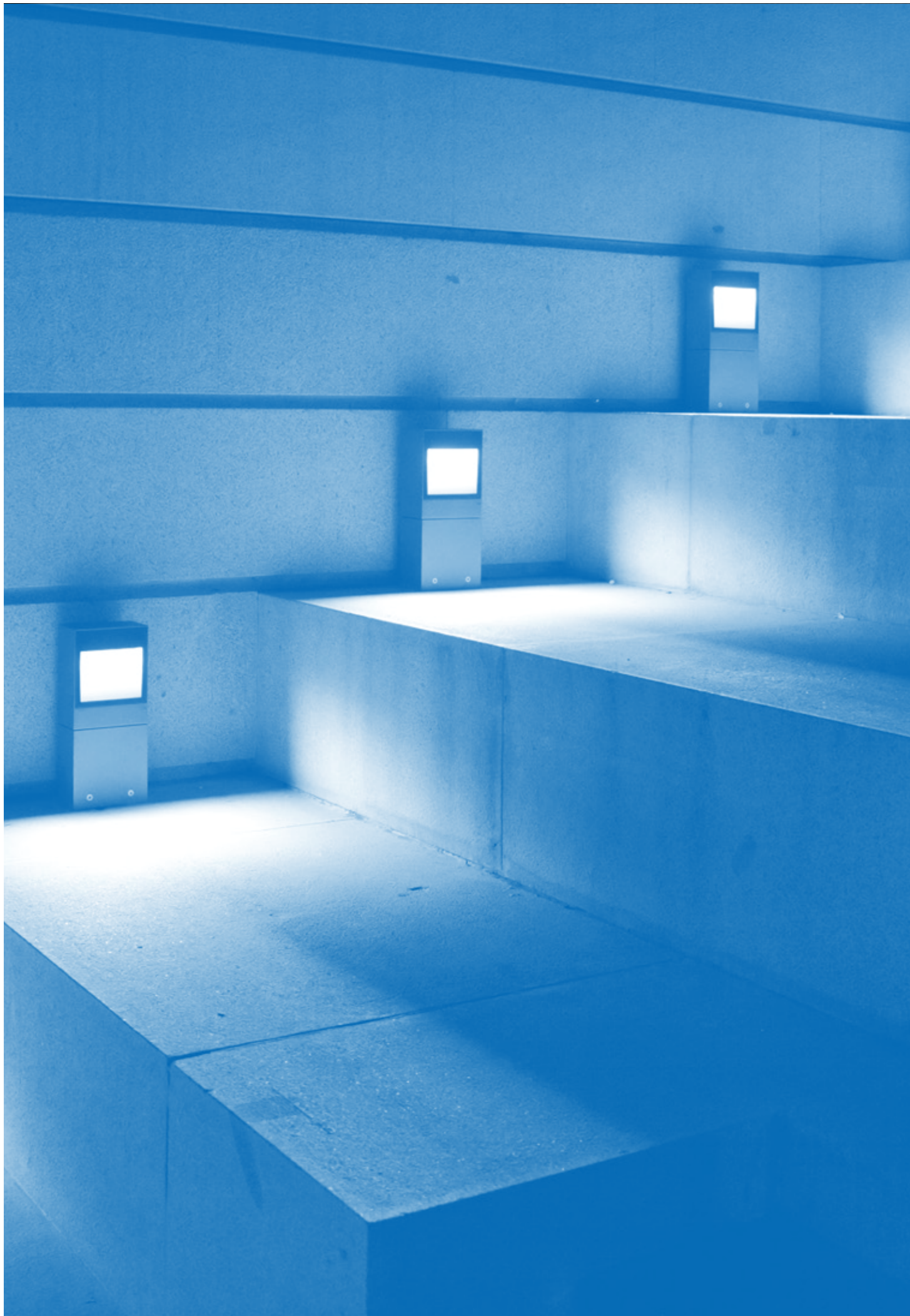


### 3 Circuit Suspension Connection

- Used in conjunction with R3SUS
- Extruded aluminium

White	QL TP 3CT SC W
Satin Silver	QL TP 3CT SC SS





# 10.0

OUTDOOR FITTINGS

- a. Flood Light
- b. Underground Light And Kit

## A. FLOOD LIGHT

### Flood Range, Black

- Energy efficient replacement for linear halogen and metal halide fittings
- 50,000 hour average lamp life
- 100° Beam angle
- Suitable for PIR and photocell control
- Pre-wired with 0.5m of rubber flex
- Die-cast aluminium housing and tempered glass



	10W QL OL10 FL B	30W QL OL30 FL B	50W QL OL50 FL B	80W QL OL80 FL B
Comparable to:	20W metal halide 75W halogen	50W metal halide 200W halogen	80W metal halide 350W halogen	120W metal halide 500W halogen
Total Power (w):	10	32	52	85
Beam Angle (deg):	100	100	100	100
CCT L100 (k):	3,000	3,000	4,500	4,500
CRI at L100:	70	70	70	70
Total Light Output (lm):	650	2,000	3,500	5,500
Lifetime L70 F10 (hrs):	50,000	50,000	50,000	50,000
Depth (mm):	55	80	103	125
Width (mm):	167	245	320	385
Height (mm):	195	314	395	445
Box Qty:	1	1	1	1
Weight (kg):	0.9	2.4	4.2	7.7

	120W QL OL120 FL B	200W QL OL200 FL B
Comparable to:	180W metal halide 1,000W halogen	300W metal halide 1,500W halogen
Total Power (w):	118	210
Beam Angle (deg):	100	100
CCT L100 (k):	4,500	4,500
CRI at L100:	70	70
Total Light Output (lm):	9,000	16,000
Lifetime L70 F10 (hrs):	50,000	50,000
Depth (mm):	125	150
Width (mm):	385	435
Height (mm):	445	565
Box Qty:	1	1
Weight (kg):	7.7	14.2

### MAX Flood Range

- Energy efficient replacement for linear halogen and metal halide fittings
- 30,000 hour average lamp life
- C/w integral driver, mounting bracket and pre-wired with 0.5m of rubber flex
- Die-cast aluminium housing with durable high quality paint finish
- Ground spike available for 10W floodlight [QL OMFL SPIKE]
- Suitable for use with PIRs. LED flood lights have no re-striking time associated with metal halide and son fittings and can be switched on and off in quick succession
- Solid state technology - not affected by adverse temperatures



	10W QL OL10 HPFL	30W QL OL30 HPFL	50W QL OL50 HPFL	80W QL OL80 HPFL
Comparable to:				
Metal Halide:	20W	50W	80W	120W
Halogen:	75W	200W	350W	500W
Total Power (w):	10	30	50	80
Beam Angle (deg):	120	120	120	120
CCT L100 (k):	3,000	3,000	4,500	4,500
CRI at L100:	70	70	70	70
Lifetime L70 F10 (hrs):	30,000	30,000	30,000	30,000
Depth (mm):	90	134	143	112
Width (mm):	115	204	234	285
Height (mm):	130	225	284	360
Box Qty:	1	1	1	1
Weight (kg):	0.5	2.1	2.9	5.6

## PIR 10W & 30W High Powered LED Flood Light

- Energy efficient replacement for linear halogen and metal halide fittings, 30,000 hour average lamp life
- PIR is mounted on an adjustable arm with detection of 90°, adjustable time setting from 10 seconds to 10 minutes and lux settings from day time to night time



	10W QL OL10 FL MF PIR	30W QL OL30 FL MF PIR
Comparable to		
Metal Halide:	20W	200W
Total Power (w):	75W	300W
Beam Angle (deg):	10	30
CCT L100 (k):	65	65
CRI at L100:	3,000	3,000
Lifetime L70 F10 (hrs):	35,000	35,000
Depth (mm):	95	125
Width (mm):	160	265
Height (mm):	115	225
Box Qty:	1	1
Weight (kg):	0.1	3.1

## Signage Arm for 10W LED Flood

- 600mm arm allows projected illumination for signage and other display purposes

QL OL SA	Grey
Proj (mm):	600



## Polycarbonate Spike

- Only for use with QL OL10 HPFL (10W)
- For use with high powered LED flood lights

QL OMFL SPIKE  
Height (mm): 210



## IP67 Mains Groundlight 10 LEDs

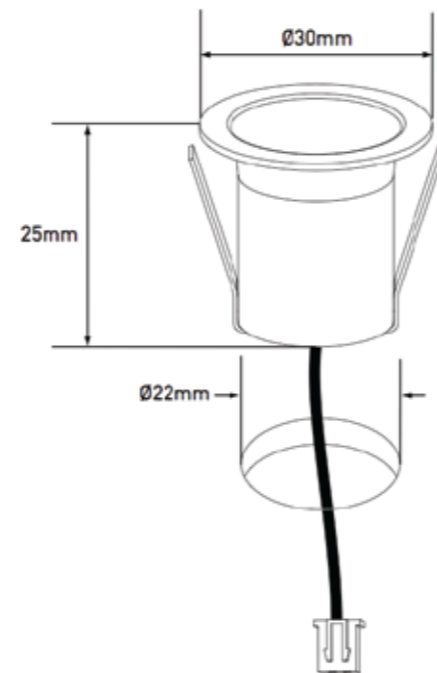
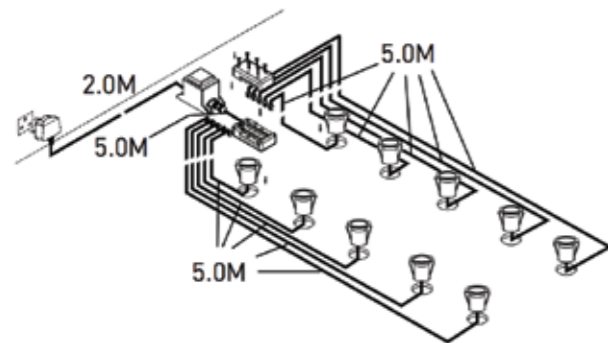
- Integral driver
- 316 stainless steel
- Suitable for walk-over applications
- Die cast aluminium body, stainless steel trim
- 30,000 hour average lamp life
- Choice of 6 or 10 x 0.08W super bright SMD LEDs
- Neither products require an external driver
- QL OL06 GL requires a 50mm PVC sleeve when installed in concrete. This product is double insulated
- QL OL10 GL requires a 100mm cut out, however it comes with a mounting sleeve and when this is used the cut out is 105mm. This product is Class 1 and requires an earth



	6 LEDs	10 LEDs
<b>White LEDs</b>	<b>QL OL6 GL W</b>	<b>QL OL10 GL W</b>
<b>Blue LEDs</b>	<b>QL OL6 GL B</b>	<b>QL OL10 GL B</b>
Total Power (W):	0.7	1.5
Diameter (mm):	60	115
Depth (mm):	75	118
Cut Out (mm):	50	100
Box Qty:	4	4
Weight (kg):	0.3	0.2

## IP68 Circular Kit (3 SMD LEDs); in 5 or 10 fittings

- Plug & play kit containing either 5 or 10 miniature fittings each with 3 LEDs in either blue or white, 6W IP44 driver, connector cables, led and plug
- Each fitting c/w clips for mounting and 5m cable
- Lights can be up to 10m apart
- Cool running
- 30,000 hour average lamp life
- 0.12W super bright SMD LEDs



White LEDs	QL OL1.8 CK W	QL OL 3.6 CK W
Blue LEDs	QL OL1.8 CK B	QL OL 3.6 CK B
Total Power (W):	1.8	3.6
Diameter (mm):	30	30
Depth (mm):	25	25
Cut Out (mm):	24	24
Box Qty:	6	8
Weight (kg):	1.38	1.75

## IP68 Circular Kit (3 LEDs) 10 fittings [White LEDs] - Europlug

- Plug & play kit containing 10 miniature fittings each with 3 LEDs in either blue or white, 6W IP44 driver, connector cables, lead and plug
- Each kit c/w clips for mounting and 5m cable
- Lights can be up to 10m apart
- Cool running
- 20,000 hour average lamp life
- 0.12W super bright LEDs



### QL OL3.6 CK W UP

Colour:	White
Total Power (W):	3.6
Diameter (mm):	30
Depth (mm):	25
CutWout (mm):	24
Weight (kg):	1.75

## IP66 Brick Light (24 LEDs)

- Standard Brick Size
- 316 stainless steel
- 30,000 hour average lamp life
- Die cast aluminium body, stainless steel trim, tamper resistant allen screws
- 0.07W super bright SMD LEDs and integral 230/240V driver
- Plastic sleeve for setting into brickwork
- 2 cable entries for loop in/loop out wiring
- Sleeve dimensions 225 x 70 x 80mm



### QL OL2.4 BL W White LEDs

Total Power (W):	2.4
Depth (mm):	85
Length (mm):	235
Width (mm):	80
Cut Out (mm):	200 X 55
Box Qty:	4
Weight (kg):	1.55

## Step Light, Mains Voltage (4 LEDs) in Plain or Grid design

- For vertical concrete or cavity wall mounting
- 30,000 hour average lamp life
- Brushed stainless steel front trim
- 4 x 0.12W SMD LED's
- Sleeve for mounting in concrete
- Clips for mounting in wood or plasterboard panels
- 45cm cable tail for connection
- Integral driver



	<b>Grid</b>	<b>Plain</b>
	<b>QLOLO.5L MV W G</b>	<b>QLOLO.5L MV W PD</b>
Total Power (W):	0.48	0.48
Diameter (mm):	40	40
Width (mm):	83	83
Height (mm):	83	83
Cut Out (mm):	72 x 72	72 x 72
Box Qty:	1	1
Weight (kg):	0.250	0.250

## 1 x 4W LED Ground Light c/w with 1 slot front cover

- Complete with IP67 loop-in loop-out T connector and mounting sleeve
- Ideal for walk ways, paths and patios
- Single 4W secondary phosphor warm white LED



<b>QL OL4 GL SS</b>	<b>Satin Silver</b>
Total Power (W):	4
Diameter (mm):	150
Depth (mm):	90
Cut Out (mm):	Sleeve 196
Box Qty:	1
Weight (kg):	1.67

## Front Cover Accessory for QL OL4 GL SS available in 2 or 4 slots



Emits light from 1 side only  
QL OL4 GL SS



Emits light from 2 sides  
QL OGL FCA 2S



Emits light from 4 sides  
QL OGL FCA 4S



Emits light from 4 sides  
QL OGL FCA 4S

<b>QL OGL FCA 2S</b>	<b>2 Slots / Satin Silver</b>
<b>QL OGL FCA 4S</b>	<b>4 Slots / Satin Silver</b>
Diameter (mm):	150
Depth (mm):	35
Box Qty:	1
Weight (kg):	0.3

## IP67 Circular Drive-over Ground Light (21 LEDs)

- Sleeve included for mounting in concrete, 160mm cut out
- 316 stainless steel
- Glass - 8mm thick
- 30,000 hour average lamp life
- 304 grade stainless steel
- Die cast aluminium body
- 2 cable entry points for loop in/loop out wiring
- C/w 21 x 0.12W SMD LEDs
- Integral 230/240V driver
- Suitable for loads up to 3.5 tonnes
- Trim secured with tamper resistant allen screws
- Cool running
- No UV content



### QL OL2.4DOGL W

### White LEDs

Total Power (W):	2.4
Diameter (mm):	162
Depth (mm):	126
Cut Out (mm):	115 / Mounting Sleeve 160
Box Qty:	1
Weight (kg):	2.15

## IP67 GU10 Ground Light c/w 11W GU10 CFL lamp

- Clips and sleeve included for mounting in decking/concrete
- Glass cool to the touch, 6mm thick - safe to walk over in bare feet
- Long lamp life - 10,000 hour average lamp life
- Top flange - diameter 115mm, 2mm thick
- Die cast aluminium body with stainless steel front bezel and ABS injection moulded sleeve
- Loop in loop out
- Requires a 100mm cut out, however it comes with a mounting sleeve and when this is used the cut out is 105mm

### QL OL10 GU10 GL W

Total Power (W):	11
Diameter (mm):	115
Depth (mm):	130
Cut Out (mm):	100
Mounting Sleeve:	105
Box Qty:	12
Weight (kg):	0.92
Cap type:	GU/GZ10



## IP67 18W Asymmetric Drive Over LED Ground Light

- LED alternative to standard metal halide and PL fittings
- Complete with IP67 loop-in loop-out T connector and mounting sleeve
- 45° angle elevation, 25° beam width
- 0.5m flex between fitting and junction box
- Suitable for 3 tonne load @ 15km/h



### QL OL18 AGL

### 6 x 3W LEDS

Total Power (W):	18
Diameter (mm):	165
Depth (mm):	Fitting 90 Sleeve 110
Cut Out (mm):	Fitting 120, 150 X 10 Sleeve 196
Box Qty:	4
Weight (kg):	1.6

### 3W 50-LED Garden Spike/Wall Mounted

- 50 x 0.06 watt warm white LEDs
- 20,000 hours average lamp life
- Non corrosive nylon fitting
- Spike or surface mounted
- Integral driver
- Pivoting head can focus light where required
- Suitable for interior and exterior use



#### QL OL3 GS

Total Power (W):	3
Depth (mm):	100
Width (mm):	120
Height (mm):	140
Box Qty:	1
Weight (kg):	0.5

### 3 x 1W '3 IN 1' Ground light, Wall light or Spike Fitting

- 3 x 1W warm white high power LEDs
- Adjustable head
- 3 in 1 design, suitable for ground, spike or wall mounting
- 50,000 hour average lamp life
- Integral driver
- Suitable for walk over applications

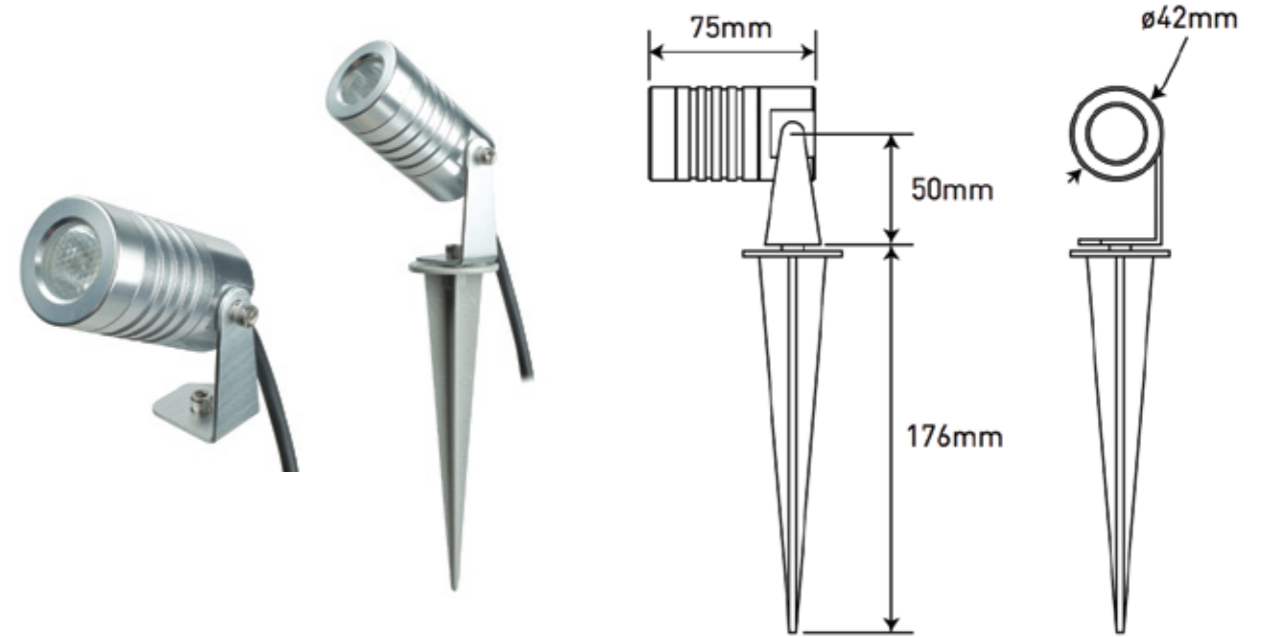


#### QL OL3 GL/WL/SF

Total Power (W):	3
Diameter (mm)	108
Length (mm):	110 5 Years
Cut Out:	Fitting 95 Sleeve 105
Box Qty:	1
Weight (kg):	0.3

### 3W Two-in-One Spike and Wall mount fitting

- 3W high power warm white LED
- Adjustable head
- 2 in 1 design, suitable for spike or wall mounting
- 50,000 hour average lamp life
- Integral driver



#### QL OL3 TOSW

Total Power (W):	3
Diameter (mm):	42
Length (mm):	75
Box Qty:	1
Weight (kg):	0.3



## 60W Aluminium Bollard (65cm)

- Weather proof
- Clear diffuser
- E27 lamp holder
- Extruded aluminium with die cast head

### QL OI60 BOLLARD65 B

Total Power (W):	60
Diameter (mm):	Base 170
Dome:	150
Height (mm):	650 2 Years
Box Qty:	2
Weight (kg):	1.25
Cap Type:	E27



### Dome Top for Bollard (Satin Silver)

#### QLOB DT

Colour:	Satin Silver
Diameter (mm):	217
Height (mm):	121
Weight (kg):	0.90



### Anchor Kit for QL OI60 BOLLARD65

#### QL OBCAK

Colour:	
Weight (kg):	0.58



## IP68 RGB LED Jacuzzi Kit (1 Controller, 1 Fitting)

- Gentle fading as the colours change on a preprogrammed cycle
- Die cast aluminium body, chrome plated trim
- 6 x 0.12W super bright colour changing LEDs
- C/w IP67 junction box and pneumatic switch, 3m of tubing and 2m of cable



### QL O0.7RGB JU

Total Power (W):	0.72
Diameter (mm):	35 2 years
Depth (mm):	Lamp 70 / Switch 60
Cut Out:	Lamp 35 / Switch 32
Box Qty:	1
Weight (kg):	0.9

## 12W IP44 LED Supply Transformer

- 2m cable
- Range 0-12W, 12V SELV output
- Thermal protection



### QL OA LST 12V

Total Power (W):	12
Box Qty:	4
Weight (kg):	0.75

## Controller/Receiver for RGB Products (IP Rated)

- For use with colour changing RGB Kits
- Plug and play connectors for easy installation
- IP54, suitable for interior and exterior use
- Mounting holes on exterior of product - no need to disassemble the unit
- External signal aerial detectable up to 10 metres



### QL OL RGB CON

Total Power (W):	50
Depth (mm):	50
Length (mm):	140
Width (mm):	67
Box Qty:	1
Weight (kg):	0.25

## 2.5M RGB extension cable with 2 connection points

- For use with RGB range of products
- 2 additional connection points to enable user to expand the RGB kit
- Plug and play connectors
- Easy to install



### QL RGB EXT

Length (mm):	2,500
--------------	-------

## 4 Way IP67 Connector for LED lights

- C/w 1.8m cable and 4 sockets



### QL OA 4WC

Length (mm):	2,000
Box Qty:	1
Weight (kg):	0.002

## 18 x 3W RGB linear wall washer

- 54W LED RGB wall washer
- Plug and play connections
- Anodized Aluminium housing
- Suitable for commercial application
- Control options: DMX controller/receiver with hand held remote
- Beam Angle 25°
- See next page for assembly instructions



### QL OL183RGB LWW

Total Power (W):	54
Length (mm):	1,005
Width (mm):	60
Height (mm):	120
Box Qty:	1
Weight (kg):	2.75



NEW

# 11.0

NEW PRODUCTS

- a. LED Panels
- b. Surface Fittings
- c. Outdoor
- d. Downlights
- e. Emergency
- f. Display & Led  
Striplights
- g. Lamps

## A. LED PANELS

### LED Panel Light, 600X600mm, Cool White 5000K, Available in 30W and 40W

- Available in 30W or 40W, comparable to T5 and T8
- High quality LED's producing 2550 – 4000 lumens
- Efficacy of 100 – 105 lumens/circuit watt, exceeding today's and foreseeable future Part L Building Regulations.
- 50% energy saving compared to T8 fluorescent
- Ideal for PIR switching
- 5000K is an ideal working environment colour, and CRI >80 is suitable for office installations
- Driver complete with male and female loop in/out connectors enables fast fix installation for testing and avoids damage to panels
- Slim profile, fits into 15mm and 24mm standard T bar grids
- Optional suspension and surface mounting kits



	30W	40W
<b>Cool White 5000K</b>	<b>QL CL30R600X600 CW</b>	<b>QLCL40R600X600 CW</b>
<b>Dali Dimmable</b>	<b>QL CL30R600X600 CW DALI</b>	<b>QLCL40R600X600 CW DALI</b>
<b>1-10V Dimmable</b>	<b>QL CL30R600X600 CW 0-10V</b>	<b>QLCL40R600X600 CW 0-10V</b>
<b>Emergency</b>	<b>QL CL30R600X600 CW EM</b>	<b>QLCL40R600X600 CW EM</b>
<b>Dali Emergency</b>	<b>QL CL30R600X600 CW DALI EM</b>	<b>QLCL40R600X600 DALI CW EM</b>
<b>1-10V Emergency</b>	<b>QL CL30R600X600 0-10V EM</b>	<b>QLCL40R600X600 CW0-10V EM</b>
Comparable to:	4x18W Fluorescent	4x18W Fluorescent
Total Power (W):	30	40
Power Factor:	0.9	0.9
Total Light Output (lm):	3150	4000
Beam Angle (deg):	110	110
CCT at L100 (K):	5000	5000
CRI at L100:	>80	>80
Efficacy (lm/cctW):	105	100
Lifetime L70 F10 (Hrs):	50,000	50,000
Width (mm):	595	595
Height (mm):	595	595
Depth (mm):	9	9
Box Qty:	4	4
Weight (kg):	4	4

### Panel Light 600 x 600mm, Warm White 3000K, Available in 30W and 40W

- Available in 30W or 40W, comparable to T5 and T8
- High quality LED's producing 2550 – 4000 lumens
- Efficacy of 80 – 85 lumens/circuit watt, exceeding today's and foreseeable future Part L Building Regulations.
- 50% energy saving compared to T8 fluorescent
- Ideal for PIR switching
- Driver complete with male and female loop in/out connectors enables fast fix installation for testing and avoids damage to panels
- Slim profile, fits into 15mm and 24mm standard T bar grids
- 30W and 40W DALI, 1-10V and Emergency drivers available
- Optional suspension and surface mounting kits



	30W	40W
<b>Warm White 3000K</b>	<b>QL CL30R600X600 WW</b>	<b>QL CL40R600X600 WW</b>
Comparable to:	4x18W Fluorescent	4x18W Fluorescent
Total Power (W):	30	40
Power Factor:	0.9	0.9
Total Light Output (lm):	2550	3200
Beam Angle (deg):	110	110
CCT at L100 (K):	3000	3000
CRI at L100:	>80	>80
Efficacy (lm/cctW):	85	80
Lifetime L70 F10 (Hrs):	50,000	50,000
Width (mm):	595	595
Height (mm):	595	595
Depth (mm):	9	9
Box Qty:	4	4
Weight (kg):	4	4

## Surface mount box for SPACE 600 x 600mm LED Panels, Available in Standard and Emergency Versions

- A surface mount box that allows for surface mounting of panel with the driver concealed behind the fitting or located behind the wall / ceiling void
- The 6060SMKBE-01 is deeper to allow for the panel and emergency pack to be placed inside the surface box

	Standard	Emergency
	QL600600SMKB-01	QL600600SMKBE-01
Length (mm):	600	600
Width (mm):	600	600
Depth (mm):	50	80



## 4 wire suspension kit for standard and emergency 600 x 600mm LED Panel

QL SUSLEDP



## 160W LED Highbay

- 50,000 hour average lamp life
- Large die cast aluminium heat sink with anodized aluminium reflector
- Thermal management and high output reflector combine to give high efficacy of 100lm/w
- Complete with a 90° reflector
- 45° and 120° reflectors also available ( QL HBRFLT45 and QL HBRFLT120)
- Complete with 1m of rubber flex
- Operating temperature: -35°C to +50°C
- Suitable for conversion to emergency operation



### QL CL160HB

Total Power (W):	160
Power Factor:	0.9
Total Light Output (lm):	21,000
Beam Angle (deg):	90
Lux at 1m (lux):	1,800
CCT L100 (K):	5000
Diameter (mm):	515
Height (mm):	540
Box Qty:	1
Weight (kg):	6.5

### Accessories:

- QL HBRFLT45 Reflector for LED Highbay
- QL HBRFLT120 Reflector for LED Highbay

## B. SURFACE FITTINGS

### 10W Compact LED Fitting Available in Standard, Emergency & Microwave Sensor

- Robust and vandal resistant polycarbonate opal diffuser with ABS base
- LED replacement for 28W 2D Surface fittings
- High efficiency opal diffuser
- 50,000 hour average lamp life
- Compliant with Building Regulations Part L1 and L2
- Impact Rating IK09



10W	
<b>QL SL 10 S284</b>	<b>Standard</b>
<b>QL SL10 S284 EM</b>	<b>Emergency</b>
<b>QL SL10 S284 MS</b>	<b>Microwave Sensor</b>
Comparable to:	28W 2D
Total Power (W):	7
Power Factor:	>0.5
Total Light Output (lm):	800 Standard 150 Emergency
Lux at 1m (lux):	180
Beam Angle (deg):	110
CCT L100 (K):	4000
CRI L100 (Ra):	75
Efficacy (lm/cctW):	80
Lifetime L70 F10 (hrs):	50,000
Diameter (mm):	284
Depth (mm):	87
Box Qty:	6
Weight (kg):	Standard 1.03 Emergency 1.33

## C. DOWNLIGHTS

### LED Recessed Wall Washer Available in 20W, 36W, 44W

- LED replacement, comparable to 35W / 50W / 70W metal halide
- Part L2 compliant
- Adjustable tilt of 60°
- No UV Content
- Frosted glass to minimise glare



	20W	36W	44W
	QL DL20RWW	QL DL36RWW	QL DL44RWW
Comparable to (Halogen)	35W	50W	70W
Total Power (W):	20	36	44
Power Factor:	0.95	0.95	0.95
Total Light Output (lm):	1,850	3,400	4,200
Beam Angle (Deg):	90	90	90
Lux at 1m (lux):	850	1,500	1,950
CCT L100 (K):	4500	4500	4500
CRI L100 (Ra):	85	85	85
Efficacy (lm/cctW):	93	94	93
Lifetime L70 F10 (hrs):	50,000	50,000	50,000
Cut-out (mm):	130 x 220	130 x 220	130 x 220
Box Qty:	1	1	1
Weight (kg):	1.45	1.5	1.58
IP:	20	20	20

## LED Circular Wall Washer Available in 13W and 35W

- Light output greater than 35W / 50W metal halide
- 4000K Cool White Light
- Part L2 Compliant
- 70° Beam Angle
- 50,000 Hour average lamp life



	13W	35W
	QL DL13R85 4000K	QL DL35R170 4000K
Comparable to (MH):	35W	50W
Total Power (W):	13	35
Power Factor:	0.95	0.95
Total Light Output (lm):	1,050	3,200
Beam Angle (Deg):	60	70
Lux at 1m (lux):	1,070	2,250
CCT L100 (K):	4000	4000
CRI L100 (Ra):	82	85
Efficacy (lm/cctW):	80	91
Lifetime L70 F10 (hrs):	50,000	50,000
Tilt/Swivel (Deg):	45/NA	70/350
Cut-out (mm):	85	170
Box Qty:	1	1
Weight (kg):	0.47	1.5
IP:	20	20

## 6W LED Dimmable Downlight with integrated driver Available In Cool or Warm White

- 6W dimmable LED downlight with integrated driver and PC changeable trims
- Fitting complete with both white and satin silver trims
- Dimmable with most leading and trailing edge dimmers
- Two pairs of L N terminals for easy loop-in/loop-out
- Adjustable 60° angle
- Available in 3000K Warm White or 4000K Cool White



White trim



Satin silver trim

	Warm White	Cool White
	QL DL6R86 WT 3000K	QL DL6R86 WT 4000K
Comparable to (Halogen):	50W	50W
Total Power (W):	6	6
Power Factor:	>0.5	>0.5
Total Light Output (lm):	370	410
Beam Angle (Deg):	35	35
Lux at 1m (lux):	550	600
CCT L100 (K):	3000	4000
CRI L100 (RA):	>80	>80
Efficacy (lm/cctW):	60	68
Lifetime L70 F10 (hrs):	30,000	30,000
Diameter (mm):	86	86
Height (mm):	60	60
Cut-out (mm):	65	65
Box Qty:	1	1
Weight (kg):	0.14	0.14
IP:	20	20

## 9.2W LED Adjustable Downlight with integrated driver Available In Cool or Warm White

- 9.2W dimmable LED downlight with integrated driver
- Dimmable with most leading and trailing edge dimmers
- Adjustable 60° angle
- Two pairs of L N terminals for easy loop-in/loop-out
- Available in 3000K Warm White or 4000K Cool White

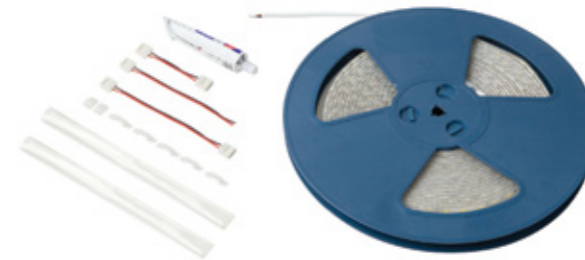


	Warm White	Cool White
<b>White</b>	<b>QL DL9.2R86WT 3000K</b>	<b>QL DL9.2R86WT 4000K</b>
<b>Satin Silver</b>	<b>QL DL9.2R86ST 3000K</b>	<b>QL DL9.2R86ST 4000K</b>
Comparable to (Halogen):	>50W	>50W
Total Power (W):	9.2	9.2
Power Factor:	0.95	0.95
Total Light Output (lm):	700	750
Beam Angle (Deg):	38	38
Lux at 1m (lux):	1,700	1,800
CCT L100 (K):	3000	4000
CRI L100 (Ra):	80	80
Efficacy (lm/cctW):	76	82
Lifetime L70 F10 (hrs):	30,000	30,000
Diameter (mm):	86	86
Height (mm):	62	62
Cut-out (mm):	65	65
Box Qty:	1	1
Weight (kg):	0.14	0.14
IP:	20	20

## D. DISPLAY & LED STRIPLIGHTS

### 10M STANDARD DENSITY IP65 LED Striplight Rolls Available in Warm White, Cool White & RGB

- 10m roll of IP65 7.2W/m flexi striplight
- Strip can be cut every 5 LED's and reconnected as required (Please refer to instruction guide on our website)
- Each roll c/w connector starter pack, which includes heat shrink, wire connectors, end caps, clips and glue
- Pack of extra connectors available to order (Single Colour: QL 5030-CONN, RGB: QLRGB-CONN)
- Single colour strip can be used with controller (QL3050-CRTL) to enable dimming
- RGB strip can be used with controller (QLRGB-CRTL) to enable colour changing and dimming
- Single colour strip can be used with amplifier (QL3050-AMP) to extend to lengths greater than 10m
- RGB strip can be used with amplifier (QLRGB-AMP) to extend to lengths greater than 10m
- Choose from 60W, 100W or 200W power supply depending on length required (QL060-PSU, QL100-PSU, QL200-PSU)

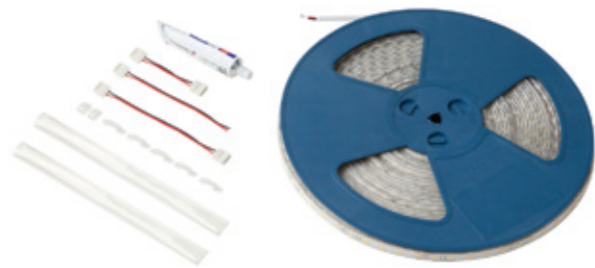


	10M Warm White QL DLS7.2 WW 10M	10M Cool White QL DLS7.2 CW 10M	10M RGB QL DLS7.2 RGB
Total Power (W):	7.2 p/m	7.2 p/m	7.2 p/m
Total Light Output (lm):	350p/m	400p/m	NA
Beam Angle (deg):	120	120	120
CCT L100 (K):	3000	5000	NA
CRI L100:	70	70	NA
Lifetime L70 F10 (hrs):	30,000	30,000	30,000
Length (mm):	10,000	10,000	10,000
Width (mm):	12	12	12
Height (mm):	4	4	4
Box Qty:	1	1	1
Weight (kg):	5.60	5.6	5.6



## 10M HIGH DENSITY IP65 LED Striplight Rolls Available in Warm White & Cool White

- 10m roll of IP65 14.4W/m flexi striplight
- Strip can be cut every 6 LED's and reconnected as required
- Each roll c/w connector starter pack, which includes heat shrink, wire connectors, end caps, clips and glue
- Pack of extra connectors available to order (Single Colour: QL5030-CONN)
- Single colour strip can be used with controller (QL3050-CRTL) to enable dimming
- Single colour strip can be used with amplifier (QL3050-AMP) to extend to lengths greater than 10m
- Choose from 60W, 100W or 200W power supply depending on length required (QL060-PSU, QL100-PSU, QL200-PSU)



	10M Warm White QL DLS14.4 WW 10M	10M Cool White QL DLS14.4 CW 10M
Total Power (W):	14.4 p/m	14.4 p/m
Total Light Output (lm):	700p/m	800p/m
Beam Angle (deg):	120	120
CCT L100 (K):	3000	5000
CRI L100:	70	70
Lifetime L70 F10 (hrs):	30,000	30,000
Length (mm):	10,000	10,000
Width (mm):	12	12
Box Qty:	1	1
Weight (kg):	5.6	5.6

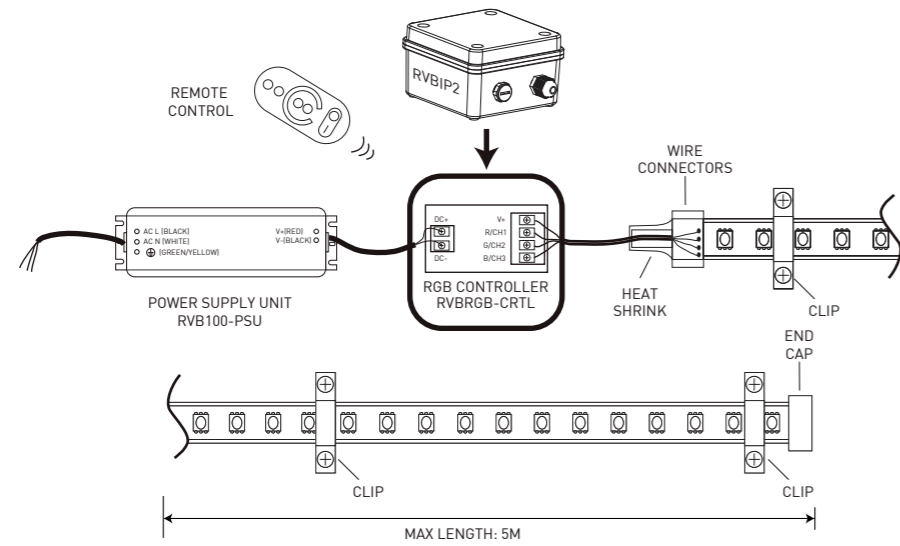
## 5M HIGH DENSITY IP65 LED Striplight Rolls RGB

- 5m roll of IP65 14.4W/m flexi striplight
- Strip can be cut every 6 LED's and reconnected as required
- Each roll c/w connector starter pack, which includes heat shrink, wire connectors, end caps, clips and glue
- Pack of extra connectors available to order (RGB: QLRGB-CONN)
- RGB strip can be used with controller (QLRGB-CRTL) to enable colour changing and dimming
- RGB strip can be used with amplifier (QLRGB-AMP) to extend to lengths greater than 5m
- Choose from 60W, 100W or 200W power supply depending on length required (QL060-PSU, QL100-PSU, QL200-PSU)

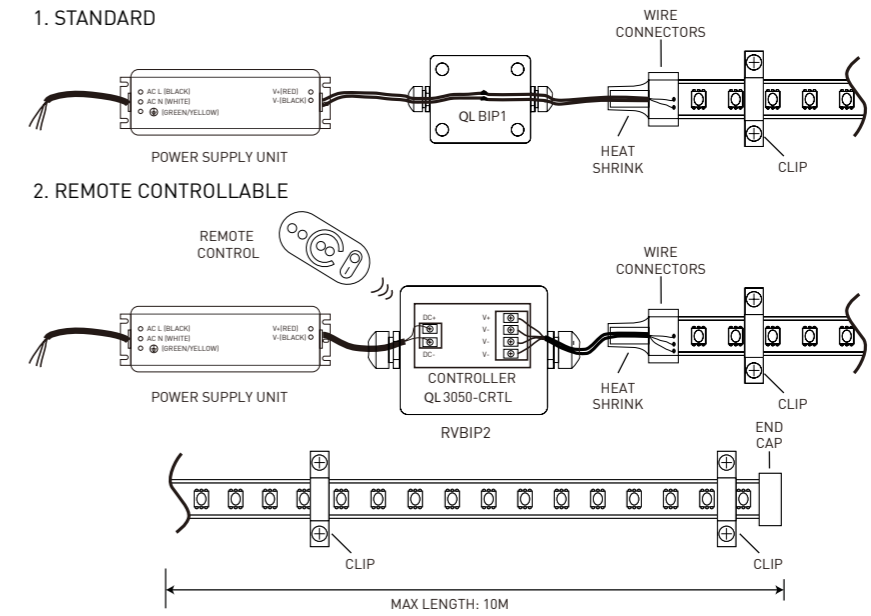


	5M QL DLS14.4 WW 5M RGB
Total Power (W):	14.4 p/m
Total Light Output (lm):	NA
Beam Angle (deg):	120
CCT L100 (K):	NA
CRI L100:	NA
Lifetime L70 F10 (hrs):	30,000
Length (mm):	5,000
Width (mm):	12
Height (mm):	4
Box Qty:	1
Weight (kg):	2.9

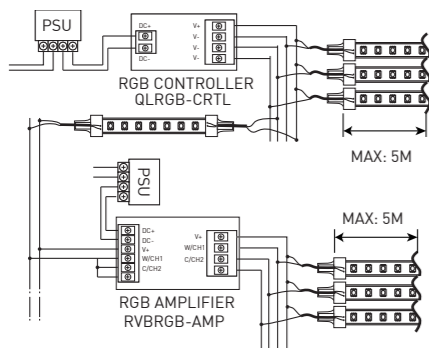
## 5M IP65 LED Striplights RGB Installation Diagram



## 10M IP65 LED Striplights Single Colour Installation Diagram

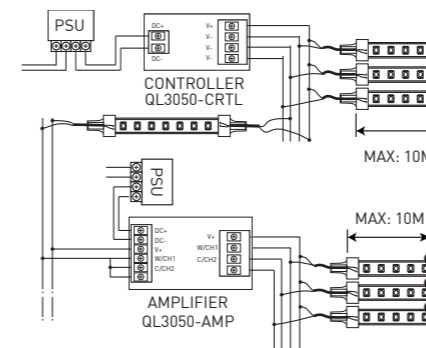


## 5M IP65 LED Striplights RGB Expansion Diagram



DRIVERS	1-5M	5-10M	10-20M
QL060-PSU	N/A	N/A	N/A
QL100-PSU	YES	N/A	N/A
QL200-PSU	N/A	N/A	N/A

## 10M IP65 LED Striplights Single Colour Expansion Diagram



DRIVERS	1-5M	5-10M	10-20M
QL060-PSU	YES	N/A	N/A
QL100-PSU	N/A	YES	N/A
QL200-PSU	N/A	N/A	YES

### EXAMPLE INSTALLATION

CODE	1-20M	21-40M	41-60M	61-80M
QL014RGB05I65	4 x 5M	8 x 5M	12 x 5M	16 x 5M
QL RGB-CTRL	1	1	1	1
QL 100-PSU	4	8	12	16
QL RGB-AMP	3	7	11	15
QLIP1	1	1	1	1
QLIP2	1	1	1	1

Max Distance between Amplifiers is 5M  
Separate Power Unit required for each Amplifier

### EXAMPLE INSTALLATION FOR 10M VIBE IP65

CODE	1-20M	21-40M	41-60M	61-80M
QL014X010I65*	2x 10M	4 x 10M	6 x 10M	8x 10M
QLRGB-CRTL	1	1	1	1
QL200-PSU	2	4	6	8
QL3050-AMP	3	7	11	15
QLIP1	1	1	1	1
QLIP2	1	1	1	1

Max Distance between Amplifiers is 10M  
Separate Power Unit required for each Amplifier  
\* Warm white or cool white versions

## IP67 Drivers for IP65 LED Striplights For use with Single Colour/RGB Versions

- IP67 for internal or external applications
- For use with NEW range of IP65 flexi strip

	QL060-PSU	QL100-PSU	QL200-PSU
Total Power (W):	60	100	200
Length (mm):	216	195	216
Width (mm):	42	68	68
Height (mm):	30	40	40
Weight (kg):	0.65	0.9	1.1
IP:	67	67	67



## Single Colour Controller for IP65 LED Striplights

- Single colour dimming controller
- C/w hand held remote
- Hand held remote can operate from a distance of 8m
- Use with VIBE range of drivers (QL060-PSU, QL100-PSU & QL200-PSU)
- IP rated enclosure available: QLIP2
- Voltage: 12-24VDC
- Current: 6A x 3Channel
- Connection mode: Common Anode

QL3050-CRTL	
Total Power (W):	432
Length (mm):	82
Width (mm):	83
Height (mm):	33
Weight (kg):	0.3
IP:	20



## RGB Controller For IP65 LED Striplights

- Colour changing and dimming RGB controller
- C/w hand held remote
- Hand held remote can operate from a distance of 8m
- Use with new range of drivers (QL060-PSU, QL100-PSU, AND QL200-PSU)
- IP rated enclosure available: QLIP2
- Voltage: 12-24VDC
- Current: 6A x 3Channel
- Connection mode: Common Anode

QLRGB-CRTL	
Total Power (W):	432
Length (mm):	82
Width (mm):	83
Height (mm):	33



## Single Colour Amplifier for IP65 LED Striplights

- Signal amplifier for synchronous operation over long distances
- Use with new range of drivers (QL060-PSU, QL100-PSU, AND QL200-PSU)
- IP rated enclosure available: QL IP2
- Required for lengths longer than 5m RGB (14.4W p/m )
- Working voltage: DC12-24V
- Working current: 6A x 2CH 12A max
- Channels: 2CH
- Output power: 144 / 288W
- Connection: Common Anode
- Output Control: Constant Voltage

QL3050-AMP	
Length (mm):	80
Width (mm):	73
Height (mm):	34



## RGB Amplifier for VIBE IP65 LED Striplights

- Signal amplifier for synchronous operation over long distances
- Use with VIBE range of drivers (QL060-PSU, QL100-PSU, AND QL200-PSU)
- IP rated enclosure available: QL IP2
- Required for lengths longer than 5m RGB (14.4W p/m )
- Working voltage: DC12-24V
- Working current: 6A x 2CH 12A max
- Channels: 2CH
- Output power: 144 / 288W
- Connection: Common Anode
- Output Control: Constant Voltage



### QLRGB-AMP

Length (mm):	80
Width (mm):	73
Height (mm):	34
Weight (kg):	0.125
IP:	20

## IP Rated Box for use with RGB / Single Colour Controller and RGB / Single Colour Amplifier

### QLIP2

Length (mm):	152
Width (mm):	153
Height (mm):	78
Weight (kg):	0.05
IP:	65



## Small IP Rated Box for use connection between Striplights and Driver (4 Terminals)

### QLIP1

Length (mm):	94
Width (mm):	65
Height (mm):	55
Weight (kg):	0.05
IP:	65



## Extra Connector Set Pack of extra connectors for use with VIBE IP65 LED Striplights

- Pack includes:
- 250mm UV protected heat shrink x 5
- Wire connector for Single Colour or RGB (10mm wide) 150mm wired between connector x 5
- Wire connector for Single Colour or RGB (10mm wide) 75mm wired between connector x 5
- Wire connector for Single colour or RGB (10mm wide) single side 150mm wire from connector x 5
- End caps x 5
- Clips x 5
- Glue



Cool White / Warm White	QL5030-CONN
RGB	QLRGB-CONN

## PULSE LED Striplight Kits Available in Warm White, Cool White and RGB

- 5m roll of flexi striplight
- Strip can be cut every 3 LEDs
- Each kit c/w with driver, flex, plug & 3mtr double sided tape for easy installation
- RGB kit c/w with receiver and hand held remote



Driver & Plug



RGB - Infra red receiver



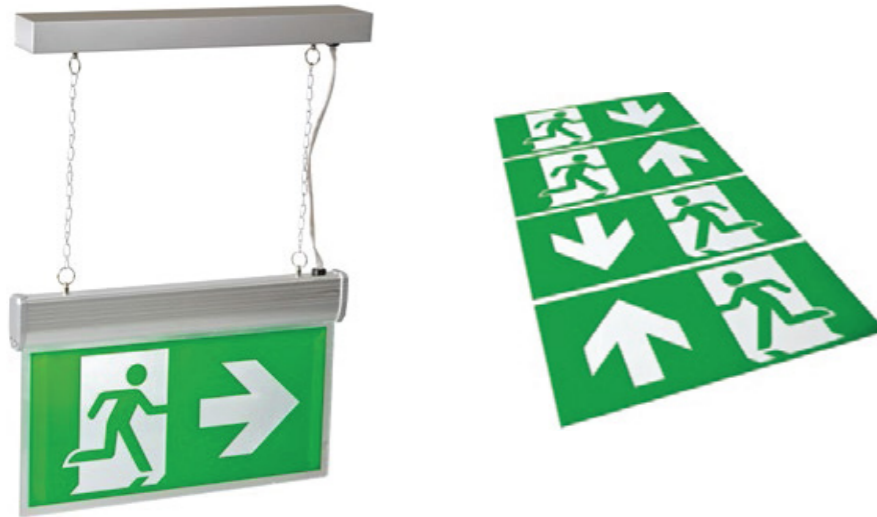
RGB - Hand held remote

	Warm White	Cool White	RGB
	QL DLS 24PLS-WW	QL DLS 24PLS-CW	QL DLS24PLS-RGB
Total Power (W):	24	24	24
Power Factor:	0.7	0.7	0.7
Total Light Output (lm):	1,000	900	NA
CCT L100 (K):	3500	5000	NA
CRI L100:	70	70	NA
Lifetime L70 F10 (hrs):	30,000	30,000	30,000
Length (mm):	5,000	5,000	5,000
Depth (mm):	10	10	10
Weight (kg):	0.5	0.5	0.5
IP:	20	20	20

## E. EMERGENCY

### LED BLADE Exit Light

- Maintained emergency exit sign illuminated by 11 LEDs
- 3hr NiCd battery back up
- LEDs enclosed on linear PCB
- Supported by adjustable cables
- Max viewing distance up to 48m
- 50,000 hour average lamp life
- Surface mounted
- C/W 6 legends set



QL EL4 BEL	Satin Silver
Total Power (W):	4
Width (mm):	400
Height (mm):	475
Depth (mm):	55
Box Qty:	6
Weight (kg):	1.2

## F. OUTDOOR

### 50W LED Wall Pack Available in Standard and Microwave Sensor Versions

- Robust die cast aluminium construction
- Polycarbonate diffuser
- Impact rating - IK06
- Pre-wired with 1.5m of rubber flex
- Available in standard and integral microwave sensor versions
- Microwave sensor version has adjustable time settings (8 seconds to 12 mins) and daylight to night lux level switching



Standard	QL OL50WP
Microwave Sensor	QL OL50WP MS
Total Power (W):	50
Power Factor:	0.9
Total Light Output (lm):	3,500
Beam Angle (deg):	120
Lux at 1m:	590
CCT L100 (K):	5500
CRI at L100:	75
Efficacy (lm/cctW):	70
Lifetime L70 F10:	30,000
Depth (mm):	180
Width (mm):	265
Height (mm):	300
Weight (kg):	7.5
IP:	65

## IP65 LED Bulkheads Available in Standard and Integral Microwave Sensor Versions

- IP65 rated
- Polycarbonate & ABS body
- Polycarbonate diffuser
- Impact rating - IK07
- C/w stainless steel tamper proof screws
- 50,000 hour average lamp life
- Cross trim accessory available (QL OL CR-04, QL OL CR-24)
- Eyelid trim accessory available (QL OL ELT-04, QL OL ELT-24)
- Available in both black and grey trim versions
- Microwave sensor version has adjustable time settings (10 seconds to 12mins) and daylight to night lux level switching



	Standard	Microwave Sensor
<b>Black</b>	<b>QL OL 14 BH B</b>	<b>QL OL 14 BH B MS</b>
<b>Grey</b>	<b>QL OL 14 BH W</b>	<b>QL OL 14 BH G MS</b>
Comparable to:	28W 2D	28W 2D
Total Power (W):	14	14
Power Factor:	0.7	0.7
Total Light Output (lm):	1,050	1,050
Beam Angle (deg):	110	110
Lux at 1m (lux):	370	370
CCT L100 (K):	4000	4000
CRI at L100:	85	85
Efficacy (lm/cctW):	75	75
Lifetime L70 F10 (hrs):	50,000	50,000
Depth (mm):	91	91
Diameter (mm):	300	300
Weight (kg):	1.35	1.35
IP:	65	65

### CROSS TRIM

QL OL CR 04 B  
QL OL CR 24 G



QL OL CR 04 B



QL OL CR 24 G

### EYELID TRIM

QL OL ELT-04 B  
QL OL ELT-24 G



QL OL ELT-04 B



QL OL ELT-24 G

## G. LAMPS

### ECO-GLS LED Lamps Available in Dimmable and Non-Dimmable

- Energy efficient LED replacement for incandescent GLS lamps
- 2700K warm white
- High CRI
- High Output LED Lamp
- Dimmable version available



#### ECO-GLS Dimmable

	QL LEG10D E27	QL LEG10D B22	QL LEG12D E27	QL LEG12D B22
	10W E27	10W B22	12W E27	12W B22
Total Power (W):	10	10	12	12
Power Factor:	0.8	0.8	0.8	0.8
Light output L100 (lm):	810	810	1,080	1,080
CCT L100 (K):	2700	2700	2700	2700
CRI L100:	80	80	80	80
Efficacy (lm/cctW):	81	81	90	90
Lifetime L70 F10 (hrs):	25,000	25,000	25,000	20,000
Beam Angle (deg):	230	230	230	230
Dimmable:	YES	YES	YES	YES
Cap Type:	E27	B22	E27	B22
Warranty:	2 years	2 years	2 years	2 years

#### ECO-GLS Non-Dimmable

	QL LEG6.5 E27	QL LEG6.5 B22	QL LEG12 E27	QL LEG12 B22
	6.5W E27	6.5W B22	12W E27	12W B22
Power (W):	6.5	6.5	12	12
Power Factor:	0.5	0.5	0.6	0.6
Light output L100 (lm):	470	470	1,080	1,080
CCT L100 (K):	2700	2700	2700	2700
CRI L100:	80	80	80	80
Efficacy (lm/cctW):	72	72	90	90
Lifetime L70 F10 (hrs):	15,000	15,000	25,000	25,000
Beam Angle (deg):	230	230	230	230
Dimmable:	NO	NO	NO	NO
Cap Type:	E27	B22	E27	B22
Warranty:	2 years	2 years	2 years	2 years

### ECO-CANDLE LED Lamps Available in Dimmable and Non-Dimmable

- Energy efficient LED replacement for incandescent GLS lamps
- 2700K warm white matching colour of incandescent lamp
- Dimmable version available



#### ECO-Candle Dimmable

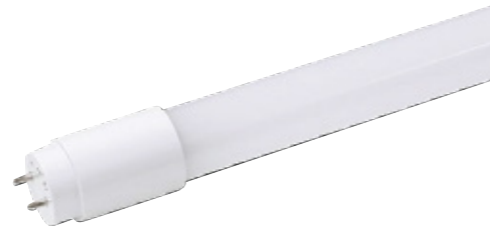
	QL LEC4.5 D E14	QL LEC4.5 D E27	QL LEC4.5 D B22
	4.5W E14	4.5W E27	4W B22
Total Power (W):	4.5	4.5	4.5
Power Factor:	0.5	0.5	0.5
Light output L100 (lm):	315	315	315
CCT L100 (K):	2700	2700	2700
CRI L100:	80	80	80
Efficacy (lm/cctW):	70	70	70
Lifetime L70 F10 (hrs):	25,000	25,000	25,000
Beam Angle (deg):	230	230	230
Dimmable:	YES	YES	YES
Cap Type:	E14	E27	B22
Warranty:	2 years	2 years	2 years

#### ECO-Candle Non-Dimmable

	QL LEC4 E14	QL LEC4 E27	QL LEC4 B22
	4W E14	4W E27	4.5W B22
Total Power (W):	4	4	4
Power Factor:	0.5	0.5	0.5
Light output L100 (lm):	280	280	280
CCT L100 (K):	2700	2700	2700
CRI L100:	80	80	80
Efficacy (lm/cctW):	70	70	70
Lifetime L70 F10 (hrs):	25,000	25,000	25,000
Beam Angle (deg):	230	230	230
Dimmable:	NO	NO	NO
Cap Type:	E14	E27	B22
Warranty:	2 years	2 years	2 years

## LED T8 Tubes Available in 9W, 18W, 24W

- Direct LED replacement for standard T8 fluorescents
- Light output comparable to 18W, 36W, 58W
- High efficacy of over 100 lm/cctW
- Energy saving- reduces power consumption by around 50%
- Cost saving, ease of installation
- 30,000 LED Lamp Life
- Non dimmable



	9W	18W	24W
<b>4000K</b>	<b>QL LT8 9</b>	<b>QL LT8 18</b>	<b>QL LT8 24</b>
Comparable to:	36W fluorescent	36W fluorescent	36W fluorescent
Total Power (W):	9	18	24
Power Factor:	0.9	0.9	0.9
Total Light Output (lm):	945	1,890	2,520
Beam Angle (deg):	120	120	120
Lux at 1m (lux):	350	400	850
CCT L100 (K):	4000	4000	4000
CRI at L100:	>80	>80	>80
Efficacy (lm/cctW):	105	105	105
Lifetime L70 F10 (hrs):	30,000	30,000	30,000
Diameter (mm):	30	30	30
Length (mm):	600	1,200	1,500
Weight (kg):	0.12	0.2	0.28

